

Installation, Operation and Maintenance Manual

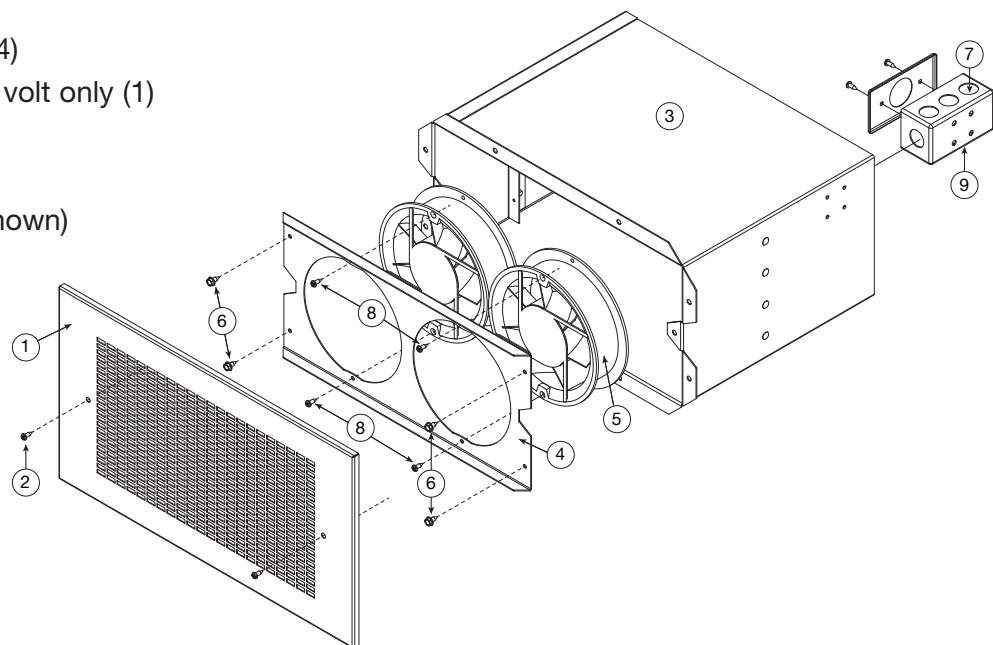
Please read and save these instructions for future reference. Read carefully before attempting to assemble, install, operate or maintain the product described. Protect yourself and others by observing all safety information. Failure to comply with these instructions will result in voiding of the product warranty and may result in personal injury and/or property damage.

Parts List

1. Grille (1)
2. Grille Screw (2)
3. Block Fan Housing (1)
4. Blower Panel (1)
5. Blowers (2)
6. Blower Panel Screw (4)
7. Receptacle Plug, 115 volt only (1)
8. Blower Screw (4)
9. Junction Box (1)
10. Electrical Cord (not shown)

Tools Required

- Phillips Head Screwdriver
- Hex Head Sockets and Wrench



WARNING

To reduce the risk of fire, electric shock, or injury to persons observe the following:

- Use this unit only in the manner intended by the manufacturer. If you have any questions, contact the manufacturer.
- For **General Ventilation** use only. Do not use to exhaust hazardous or explosive materials and vapors.
- Before servicing or cleaning unit, switch power off at service panel and lock service panel to prevent power from being switched on accidentally. When the service disconnecting means cannot be locked, securely fasten a prominent warning device, such as a tag, to the service panel.
- Installation work and electrical wiring must be done by qualified person(s) in accordance with all applicable codes and standards, including fire-rated construction.
- The combustion airflow needed for safe operation of fuel-burning equipment may be affected by this unit's operation. Follow the heating equipment manufacturer's guideline and safety standards such as those published by the National Fire Protection Association (NFPA), and the American Society for Heating, Refrigeration and Air Conditioning Engineers (ASHRAE), and the local code authorities.

NOTE

For General Ventilation use only. Do not use to exhaust hazardous or explosive materials and vapors.

General Maintenance Suggestions

The Concrete Block Exhaust Fan requires very little maintenance. However, since small problems left unchecked over time could lead to loss of performance or early motor failure, we do recommend that the unit be inspected periodically (once or twice a year).

The fan motor and wheel(s) should be checked for dust and dirt accumulations. Dirt buildup can lead to loss of performance and motor overheating. Cleaning can be accomplished by brushing off any dust or dirt that may have accumulated.

Service and Maintenance:

1. Turn off all power to Concrete Block Fan.
2. Remove (2) grille screws with Phillips head screwdriver. Figure 1.
3. Unfasten (4) blower panel screws from support angles. Figure 2.
4. Pull blower assembly out approximately 12 inches.
5. Reach inside housing and unplug receptacle from junction box.
6. Brush off any accumulated dust or dirt from the fan motor and wheel(s).

Figure 1

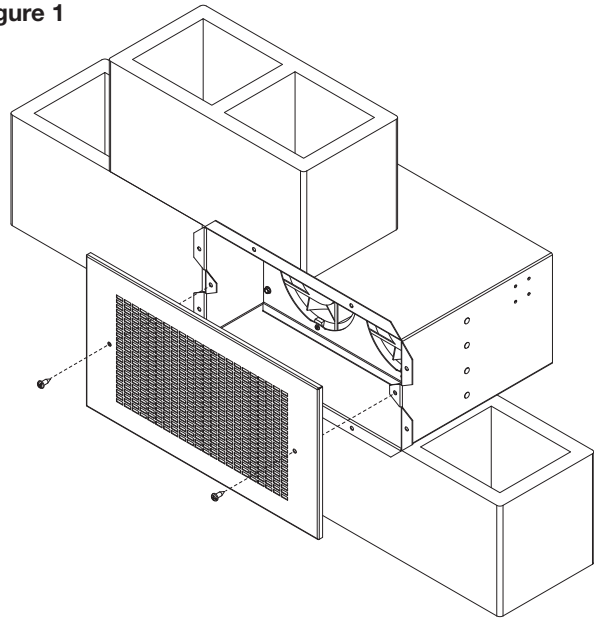
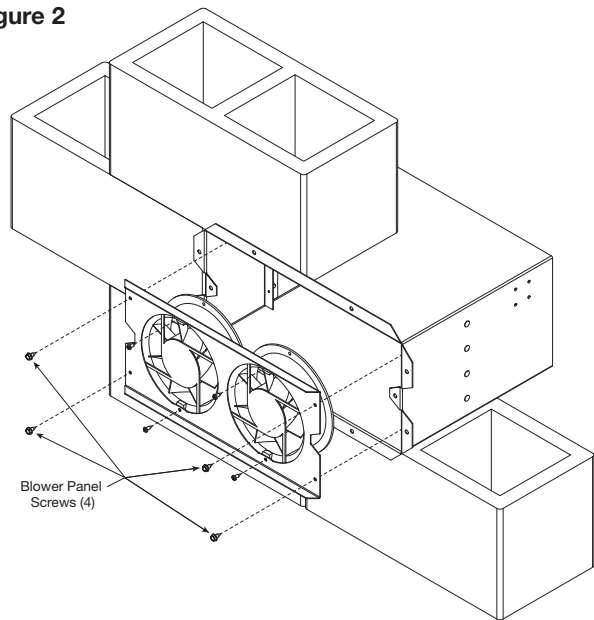


Figure 2



Our Commitment

As a result of our commitment to continuous improvement, Venco reserves the right to change specifications without notice.

