

## Installation, Operation and Maintenance Manual

Please read and save these instructions for future reference. Read carefully before attempting to assemble, install, operate or maintain the product described. Protect yourself and others by observing all safety information. Failure to comply with these instructions will result in voiding of the product warranty and may result in personal injury and/or property damage.

### Direct Drive Ceiling Exhaust Fan

Designed for clean air applications where low sound levels are required. Many options and accessories are available such as lights, motion detectors, ceiling radiation dampers and speed controls. Capacities range from 25 to 1,600 cfm (42 to 2,718 m<sup>3</sup>/hr) and 1 in. wg (248 Pa). AMCA Licensed for Sound and Air Performance.



### Direct Drive Inline Exhaust Fans

Designed for clean air applications where low sound levels are required. Capacities range from 70 to 3,800 cfm (119 to 6,456 m<sup>3</sup>/hr) and 1 in. wg (248 Pa). AMCA Licensed for Air Performance.



#### WARNING!

To reduce the risk of fire, electric shock, or injury to persons, observe the following:

- Suitable for use with solid state speed controls.
- Use this unit only in the manner intended by the manufacturer. If you have questions, contact the manufacturer.
- Before servicing or cleaning unit, switch power off at service panel and lock service disconnecting means to prevent power from being switched on accidentally. When the service disconnecting means cannot be locked, securely fasten a prominent warning device, such as a tag, to the service panel.
- Installation work and electrical wiring must be done by qualified person(s) in accordance with all applicable codes and standards, including fire-rated construction.
- Sufficient air is needed for proper combustion and exhausting of gases through the flue (chimney) of fuel burning equipment to prevent back drafting. Follow the heating equipment manufacturer's guideline and safety standards such as those published by the National Fire Protection Association (NFPA), and the American Society for Heating, Refrigeration and Air Conditioning Engineers (ASHRAE) and the local code authorities.
- When cutting or drilling into wall or ceiling, do not damage electrical wiring or other hidden utilities.
- Acceptable for use over a bathtub or shower when installed in a GFCI protected branch circuit. (Up through size VQ-A390)
- Never place a switch where it can be reached from a tub or shower.
- Ducted fans must always be vented to the outdoors.
- These fans are not recommended for cooking exhaust applications. They are designed primarily for low temperature, clean air applications only. The diagram shows the minimum distance these fans should be placed in relation to cooking equipment.
- Fan/Light combination not to be installed in a ceiling thermally insulated to a value greater than R40.

#### CAUTION!

- For general ventilating use only. Do not use to exhaust hazardous or explosive materials and vapors.

#### AVERTISSEMENT!

Pour réduire le risque d'incendie, de choc électrique ou de blessure corporelle, respecter ce qui suit:

- Appareil pouvant être utilisé avec un régulateur de vitesse à semi-conducteurs.
- Utiliser cet appareil exclusivement comme prévu par le fabricant. En cas de questions, communiquer avec le fabricant à l'adresse ou au numéro de téléphone figurant dans la garantie.
- Avant tout entretien ou nettoyage de l'appareil, couper l'alimentation sur le tableau électrique et verrouiller le dispositif de sectionnement pour empêcher toute mise sous tension accidentelle. Si le dispositif de sectionnement ne peut pas être verrouillé, attacher un moyen de mise en garde bien visible, tel qu'un panneau, au tableau électrique.
- La pose et le câblage électrique doivent être effectués par des personnes qualifiées en conformité avec les codes et normes en vigueur, y compris pour la résistance au feu du bâtiment.
- Une quantité d'air suffisante est nécessaire pour la bonne combustion et l'extraction des gaz brûlés par le conduit d'évacuation (cheminée) d'appareils à combustible afin d'éviter le refoulement. Veiller à suivre les indications du fabricant du matériel de chauffe, les normes de sécurité telles que celles publiées par la National Fire Protection Association (NFPA) et l'American Society for Heating, Refrigeration and Air Conditioning Engineers (ASHRAE) et la réglementation en vigueur.
- Lors de la découpe ou du perçage de murs ou plafonds, ne pas endommager les câbles électriques et autres conduites masquées.
- Pose admissible au-dessus d'une baignoire ou d'une douche sous réserve de raccordement à un circuit de dérivation à protection GFCI (disjoncteur différentiel). (Jusqu'à la taille VQ-A390 incluse)
- Ne jamais placer d'interrupteur à un emplacement à portée d'une baignoire ou d'une douche.
- Les caissons d'extraction à gaine doivent toujours être évacués vers l'extérieur.
- Ces caissons ne sont pas conseillés pour les applications d'aspiration de vapeurs de cuisson. Ils sont conçus essentiellement pour l'aspiration d'air propre à basse température. Le schéma indique la distance minimale de placement de ces caissons par rapport à l'équipement de cuisson.
- Le combiné ventilateur/luminaire ne devra pas être installé dans un plafond ayant une isolation thermique d'une valeur supérieure à R40.

#### ATTENTION!

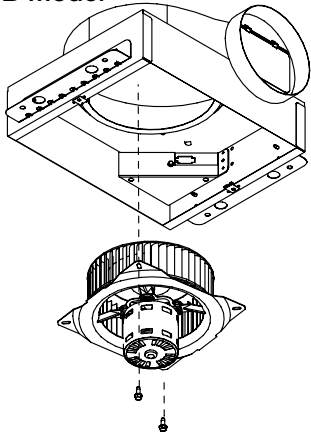
- À utiliser pour la ventilation générale uniquement. Ne pas utiliser pour l'aspiration de matières et vapeurs dangereuses ou explosives.

## Prepare the fan

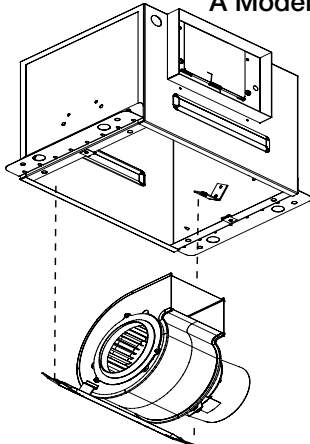
### Power Assembly

If power assembly (motor, wheel, and scroll) is not installed in housing, insert the electrical plug into fan socket, then slide scroll end of power assembly into fan housing. Attach by using two sheet metal screws provided.

#### B Model

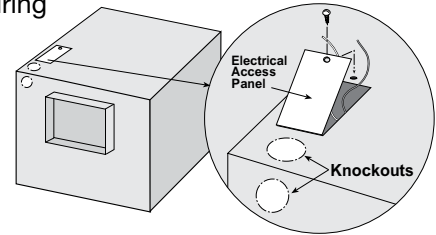


#### A Model



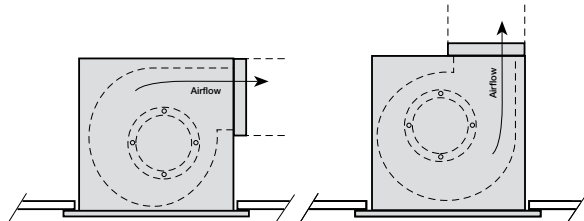
### Remove Wiring Knockout

Remove either top or side wiring knockout, depending on wiring direction, by bending it back and forth to break tabs.



### Ductwork

Check ductwork to see if the fan's discharge requires rotation from horizontal to vertical discharge.

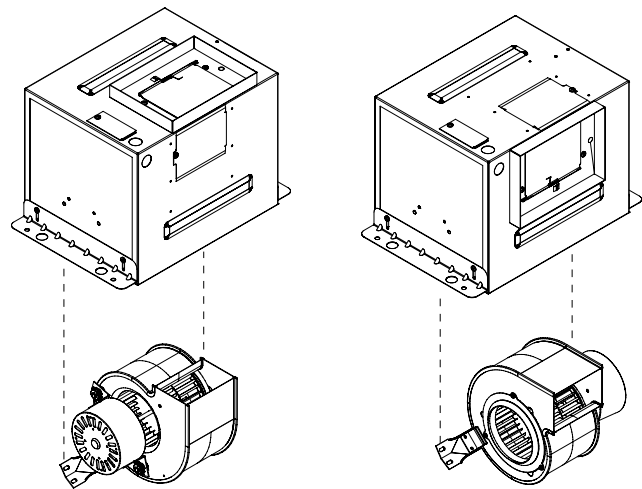


### Fan Rotation

To rotate from horizontal to vertical discharge  
A-Models Only

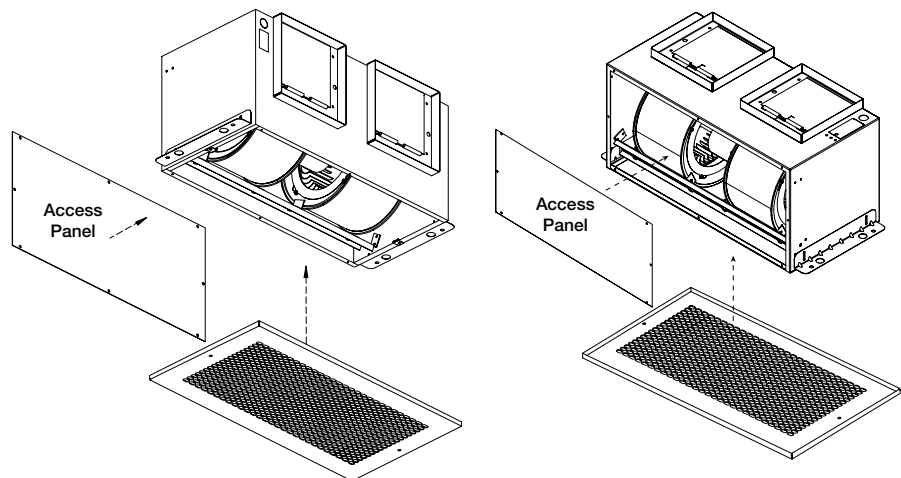
#### A50-500, 710, 780 Models

Remove the two screws holding the power assembly in and pull power assembly out. Rotate power assembly 180 degrees and put back into fan. Use the same screws to reattach power assembly to fan housing. Flip fan over and remove the four screws holding the discharge duct and damper assembly. Exchange the assembly with plate mounted on top of fan, as shown in these illustrations.



#### A700, 900-1500 Models

Remove the eight screws holding the access panel or collar as shown in picture. Rotate the fan housing so the discharge is facing up. Replace access panel or collar and screws.



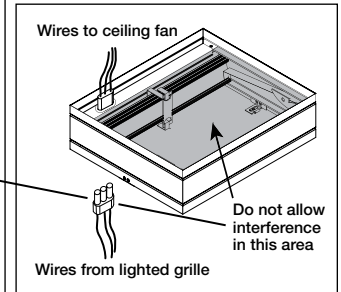
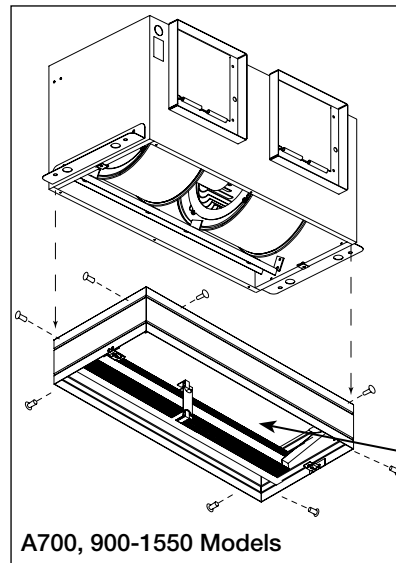
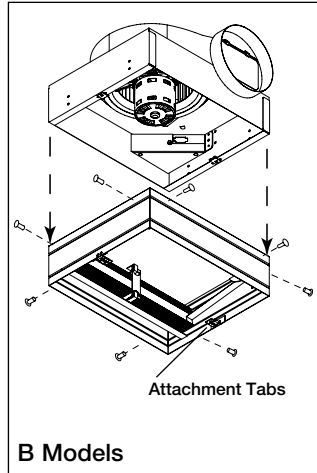
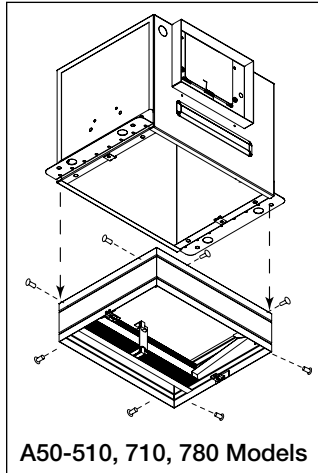
## Ceiling Radiation Damper (CRD)

If fan is to be used in a fire resistive membrane ceiling, a ceiling radiation damper must be used.

If the ceiling radiation damper is already mounted to the fan from the factory, proceed to Install the Fan.

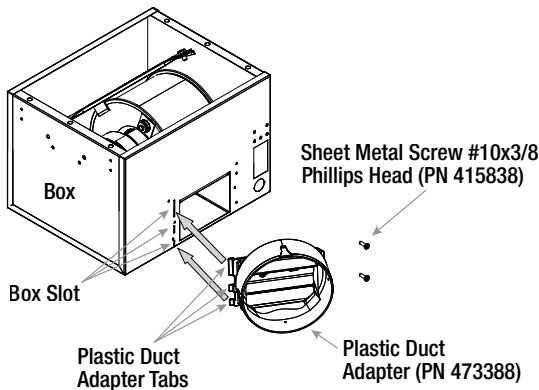
To mount the ceiling radiation damper to fan, make sure grille attachment tabs are facing down. Then place the inlet part of the fan into the ceiling radiation damper collar, and use self-tapping sheet metal screws (by others) to screw through the damper collar and into the fan housing. If the fan/light combination is being used, make sure ceiling

radiation damper has an electrical plug in it. The electrical plug must be inserted into the fan. Make sure the electrical wire will not interfere with damper operation as shown in figure below.

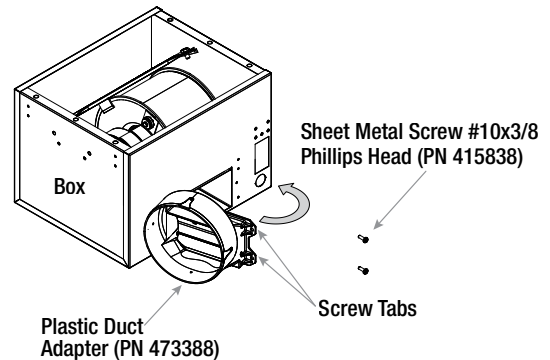


## Discharge Installation A50-90 Models

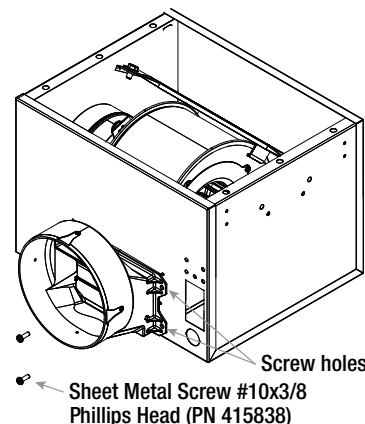
1 Insert plastic duct tab into box slots.



2 Rotate plastic duct adapter (PN 473388) until the screw tabs meet the box.

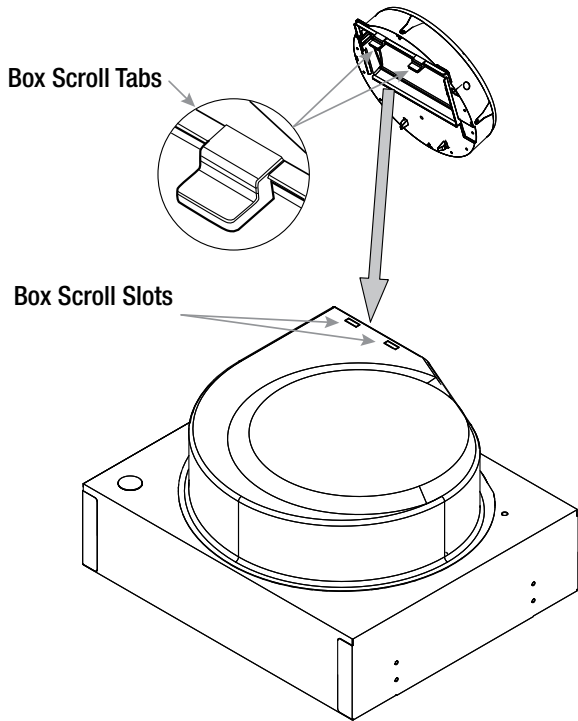


3 Install screws provided to secure discharge.

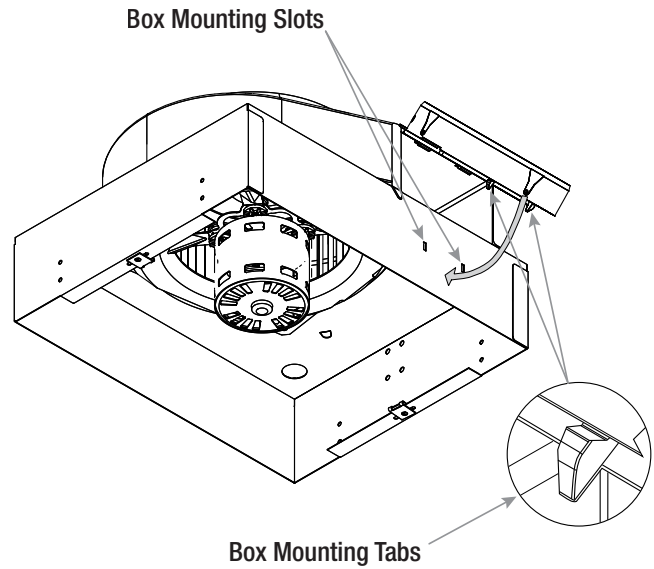


# Discharge Installation for Ceiling and Inline Exhaust Models Sizes B50-200

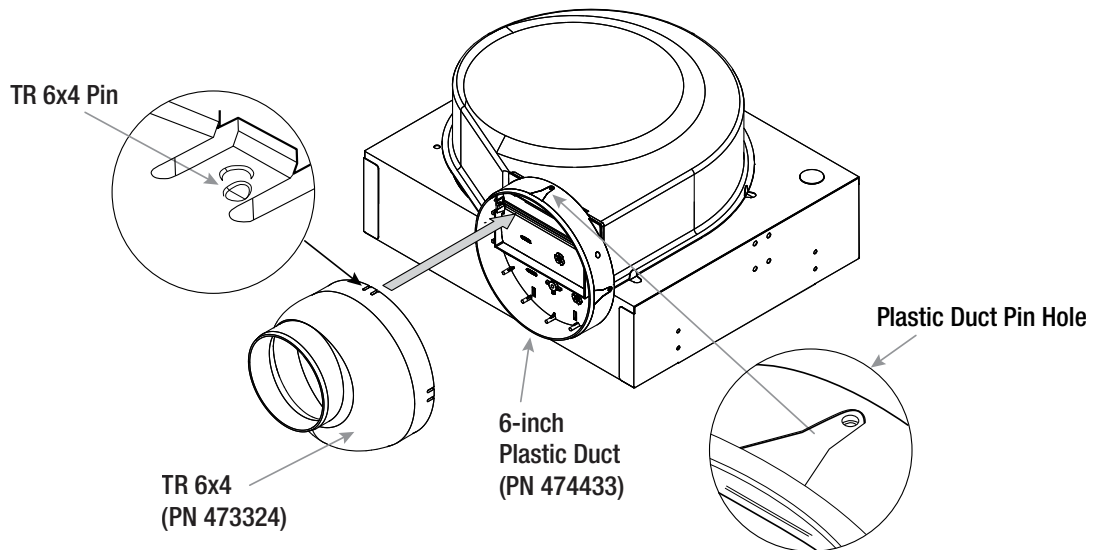
**1** Insert box scroll tab into box scroll slots.



**2** Rotate plastic duct adapter (PN 474433) until the two mounting tabs fully engage into the two box mounting slots.



**3** **OPTIONAL**  
Align the pins on the TR 6x4 adaptor to the duct pin hole on the 6-inch duct. Push until the adaptor snaps into place.



## Install the Fan

- For best performance, choose a location with the shortest possible duct run and minimum number of elbows. Do not mount near cooking equipment, as shown in Fig. 1.

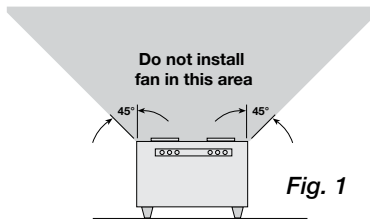


Fig. 1

- Attach adjustable mounting brackets to fan, but leave the screws loose until proper height is determined, shown in Fig. 2. Cut hole to dimensions shown in table below:

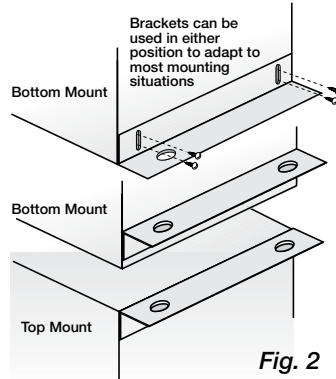


Fig. 2

Ceiling Openings		
Sizes	Fan or Fan/Light	Fan/CRD
A50, A70, A90 A110, A125, A190	10 <sup>7</sup> / <sub>8</sub> x 13 <sup>3</sup> / <sub>8</sub>	11 <sup>1</sup> / <sub>8</sub> x 13 <sup>7</sup> / <sub>16</sub>
A200, A250, A290, A390	12 <sup>1</sup> / <sub>8</sub> x 14 <sup>1</sup> / <sub>4</sub>	12 <sup>1</sup> / <sub>4</sub> x 14 <sup>3</sup> / <sub>8</sub>
A700	23 <sup>3</sup> / <sub>4</sub> x 11 <sup>3</sup> / <sub>4</sub>	24 <sup>1</sup> / <sub>8</sub> x 12 <sup>1</sup> / <sub>4</sub>
A410, A510, A710, A780	14 <sup>3</sup> / <sub>4</sub> x 18 <sup>3</sup> / <sub>8</sub>	14 <sup>7</sup> / <sub>8</sub> x 18 <sup>7</sup> / <sub>16</sub>
A900, A1050, A1410, A1550	14 <sup>3</sup> / <sub>4</sub> x 24	14 <sup>7</sup> / <sub>8</sub> x 24 <sup>1</sup> / <sub>8</sub>
B50 - 200	14 <sup>1</sup> / <sub>8</sub> x 11 <sup>3</sup> / <sub>4</sub>	14 <sup>3</sup> / <sub>8</sub> x 12 <sup>1</sup> / <sub>4</sub>

### NOTE

Model A50-90 are standard with a round duct. Should Model A110-190 require a round duct, Model RDC (Round Duct Connector) may be ordered from manufacturer for field installation.

## For Frame Construction:

Position unit between joists. Position brackets such that bottom edge of housing will be flush with finished ceiling, and tighten the adjustable mounting brackets, shown in Fig. 3.

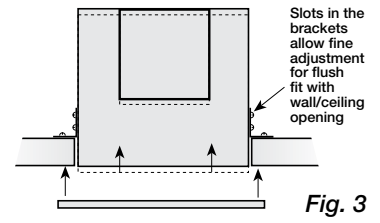


Fig. 3

## For Hanging Installations:

Use manufacturer's optional vibration isolator kit Part Number VI Kit. Using the fan's standard adjustable mounting brackets and 10 by 32 threaded rod (by others), hang unit as shown in Fig. 4.

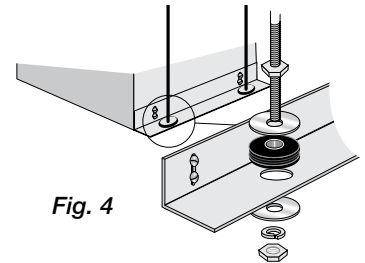


Fig. 4

- Installation of ductwork is critical to the performance of the fan, shown in Fig. 5. Straight ductwork (1) or ductwork that turns in the same direction as the wheel (2) is recommended. Ductwork turning opposite the wheel direction (3) will cause turbulence and back pressure resulting in poor performance.

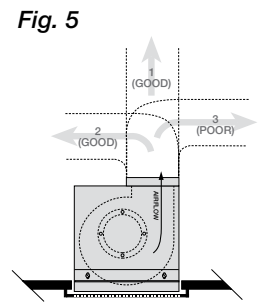


Fig. 5

- Slide ductwork over the fan's discharge collar and securely attach it with sheet metal screws.

**Make sure the screws do not interfere with damper operation. Check damper to make sure it opens freely.**

## Wire the Fan

- Remove wiring cover. If fan/light combination is being used, make sure the fan plug is connected to the fan receptacle and the light plug is connected to the light receptacle, shown in Fig. 6.

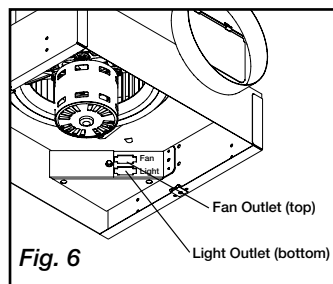


Fig. 6

Using proper wire connectors, wire the fan as shown in Fig. 7a. For wiring of light proceed to Fig. 7b.

- Push all wiring into the unit's cover and replace wiring cover.

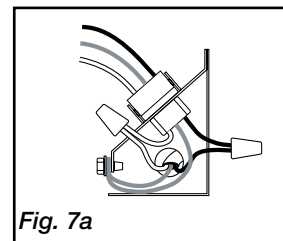


Fig. 7a

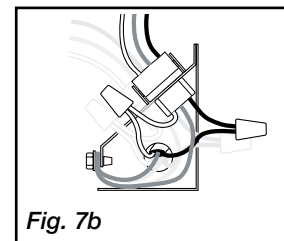


Fig. 7b

**115 & 277 Volt**  
Black wire is "Hot"  
White wire is "Neutral"  
Green wire is "Ground"

**220 - 240 Volt**  
Black wire is "Hot"  
White wire is "Hot"  
Green wire is "Neutral/Ground"

## Attach the Grille

1. If lighted grille is being used, plug wire into fan socket.  
If lighted grille and ceiling radiation damper are being used, plug wire from lighted grille into ceiling radiation damper socket. Do not plug wire directly into the fan socket. Make sure the wire does not interfere with the ceiling radiation damper operation.
2. Attach grille with two screws provided. Make sure not to over tighten; over tightening will damage grille.
3. Slide attachment screw covers over the attachment screws, shown in Figure 8 and 9.
4. If lighted grille is being used, install light bulb(s) into light socket(s). For fluorescent lights, use 27W GU24 bulbs. For LED lights, use 10W GU24 bulbs. Manufacturer has replacement 27W GU24 bulbs, call 1-800-355-5354 to order.
5. If lighted grille is being used, snap lens into place, by pushing on the outside edges of lens, shown in Fig. 9. To remove lens, use small screw driver and pry on one side of lens.
6. Turn on power and check fan and light operation.

Fig. 8

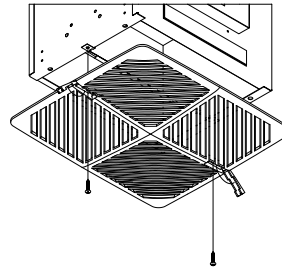
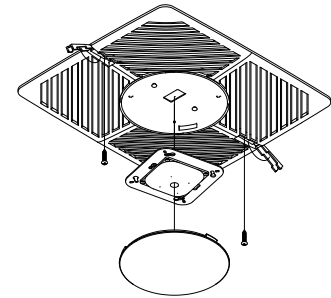


Fig. 9



---

## Converting from Ceiling to Cabinet Design for Ceiling Exhaust Fans

All convertible sizes will be shipped with grille and duct collar cover. Note, this applies only to fans originally ordered as convertible.

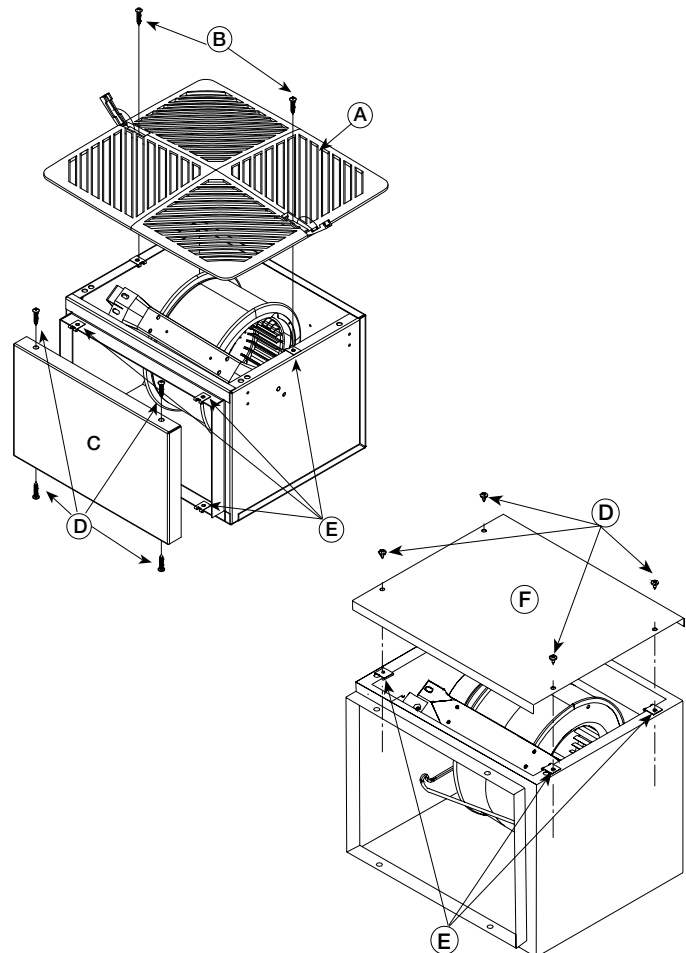
### Conversion Kit Parts List

- Qty. of 1 Blower Box Cover

### Tools Required

- Phillips Head Screwdriver

- Step 1: Remove grille (A) by removing the two grille screws (B).
- Step 2: Remove duct collar cover (C) by removing the four duct collar screws (D).
- Step 3: Discard grille (A), two grille screws (B), and duct collar cover (C).
- Step 4: Remove the six (6) tinnerman clips (E) by twisting them to one side and pulling straight out. Discard two of the six tinnerman clips.
- Step 5: Insert the remaining four tinnerman clips (E) on grille opening side.
- Step 6: Place blower box cover (F) over tinnerman clips (E), which were inserted in step 5.
- Step 7: Screw the blower box cover (F) into place with four blower box cover screws (D).



## Other Installation Considerations

### Ductwork and Noise

Fiberglass ductboard is a better choice than metal ductwork for reducing fan noise and is highly recommended for low sound applications. Where metal duct is used, sound transmission can be reduced with flexible duct connections between the fan and the duct.

### Sound and Location

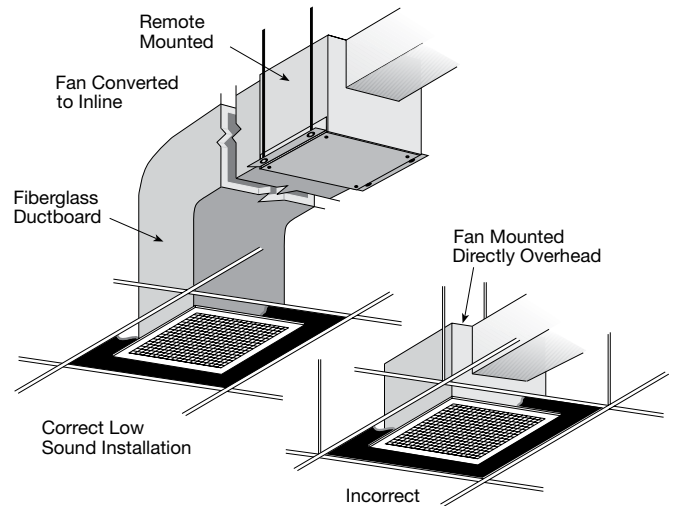
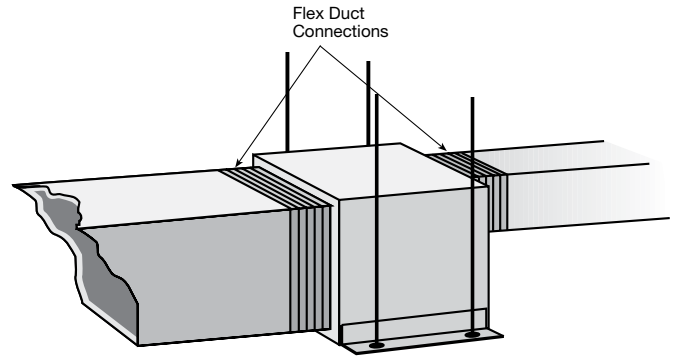
The location of these fans must be taken into consideration before installation. In critical sound installations, insulated ductwork, flexible duct connections or placing the fan in a remote section of ductwork are solutions to meeting the required fan sound levels.

### Filters

The addition of an intake filter is highly recommended for these fans, even in clean air environments excess dirt can accumulate on wheels and motors causing reduced performance and imbalance.

Filters, once installed, should be checked and cleaned periodically to maintain performance.

Washable aluminum mesh filters specifically designed for these fans are available, please consult your representative for more information.



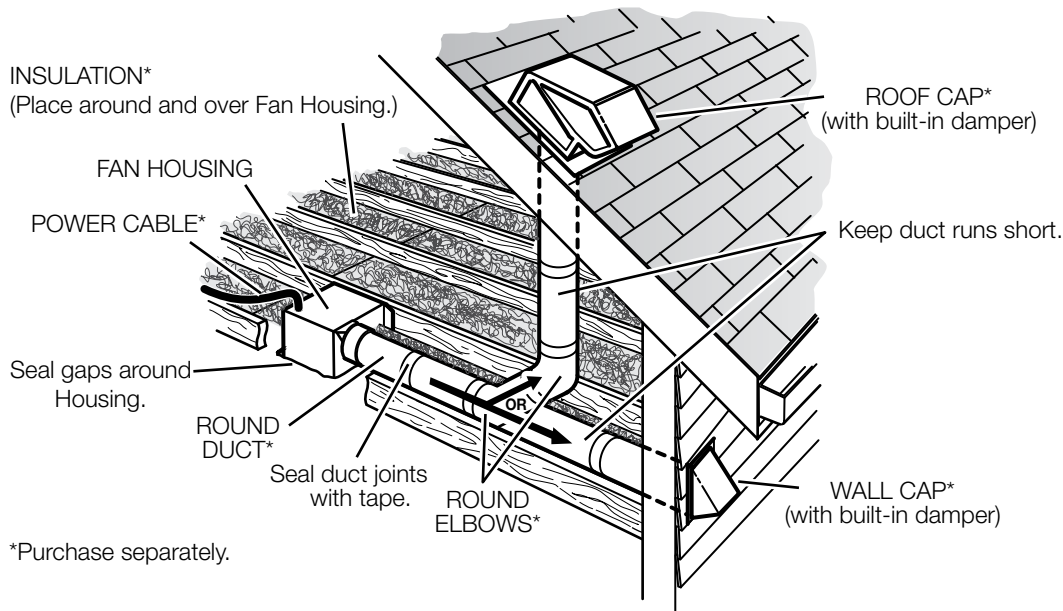
## General Maintenance Suggestions

Ceiling exhaust fans require very little maintenance. But since small problems over time left unchecked could lead to loss of performance or early motor failure, we do recommend that the unit be inspected periodically (once or twice a year).

The fan motor and wheel should be checked for dust and dirt accumulations. Dirt buildup can lead to loss of performance and motor overheating. Cleaning can be accomplished by brushing off any dust that may have accumulated. Even filtered units can accumulate build-up and should be checked when cleaning filters.

The motor should be checked for lubrication at this time. Lubricate only those motors which have an oil hole provided. A few drops of all purpose oil (SAE 20) will be sufficient.

## Typical Installation



## Our Commitment

*As a result of our commitment to continuous improvement, Venco reserves the right to change specifications without notice.*



Phone: 1.833.881.0565 • Fax: 715.355.2399 • E-mail: [info@vencoproducts.com](mailto:info@vencoproducts.com) • Website: [www.vencoproducts.com](http://www.vencoproducts.com)