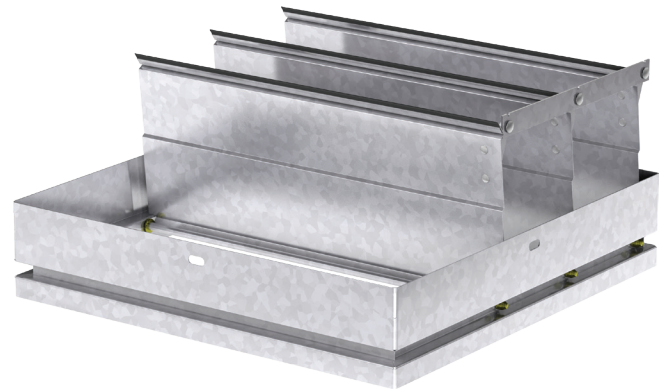


The BD-100 is a horizontal mount backdraft damper designed to allow vertical airflow up and prevent reverse airflow. The dampers are opened by air pressure differential (assisted by springs*) and closed by gravity. The primary application is with roof mounted exhaust fans.



* W & H dimensions furnished approximately 1/8 in. (3mm) undersize.

Damper Ratings

Pressure

Up to 2.0 in. wg (0.5 kPa) - differential pressure

Velocity

Up to 1500 fpm (7 m/s)

Temperature

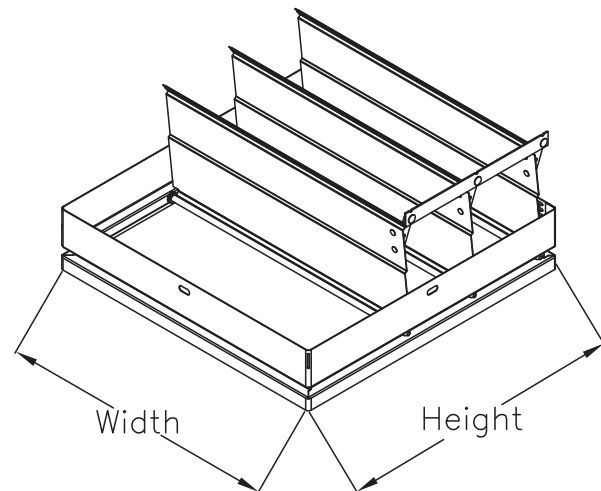
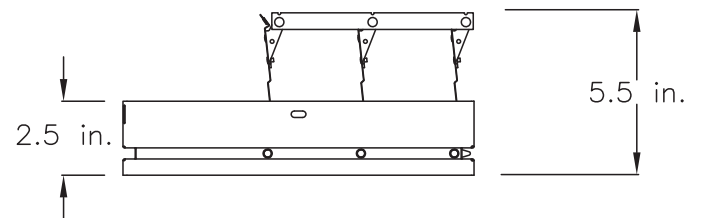
Up to 180°F (82°C)

Leakage

BD-100 series comply with the International Energy Conservation Code (IECC) and ASHRAE 90.1 leakage requirements for non-motorized dampers (see page 2)

Construction

	Standard
Frame Material	Galvanized Steel
Frame Thickness	24 ga. (0.7mm)
Frame Type	No Flange
Blade Material	Roll formed aluminum
Blade Thickness	0.016 in. (0.41mm)
Blade Seals	Vinyl
Axle/Axle Bearings	Synthetic
Linkage Material	Galvanized Steel
Paint Finishes	None



Size Limitations

W x H in. (mm)	Minimum Size 8 x 8 (203 x 203)	Maximum Size
		Single Panel 18 x 18 (457 x 457)

* 12 in. x 12 in. (305mm x 305mm) and smaller

Performance Data

Test Information

- Air leakage is based on operation between 32°F and 120°F (0°C and 48°C)
- Tests for air leakage were conducted in accordance with ANSI/AMCA Standard 500-D Figure 5.7B, in the intake direction
- Air performance testing conducted in accordance with ANSI/AMCA Standard 500-D, Figure 5.7B

Air Leakage

Model BD-100 series dampers leak a maximum of:

- 39 cfm/ft² or less at 1.0 inches w.g.

*Note: This model complies with the International Energy Conservation Code (IECC) and ASHRAE 90.1 leakage requirements for non-motorized dampers.

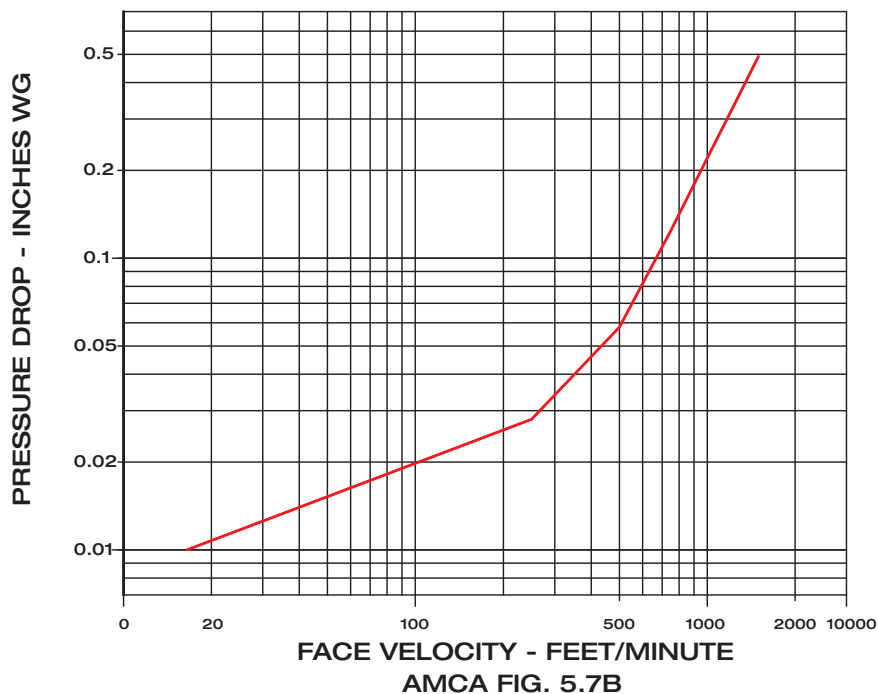
Air Performance

Performance data results from testing a 18 in. x 18 in. (457mm x 457mm) damper in accordance with AMCA Standard 500-D using Figure 5.7B. All data has been corrected to represent standard air at 0.075 lb/ft³ (1.201 kg/m³).

Pressure Drop

18 in. x 18 in. Damper
(457mm x 457mm)

VELOCITY VS. PRESSURE DROP



Document Links

Scan the QR code or click on the name below the QR code.



[SELECTION GUIDE](#)



[CATALOG](#)



[WARRANTY](#)