

### Application

The CRD-1WJ is a UL classified ceiling radiation damper for installation in wood joist construction with ratings up to an one hour. The CRD-1WJ provides the ceiling radiation damper installed in an insulated steel enclosure. The damper is positioned in the enclosure to accommodate 1 1/2 in. (38mm) grille depth.

### Construction

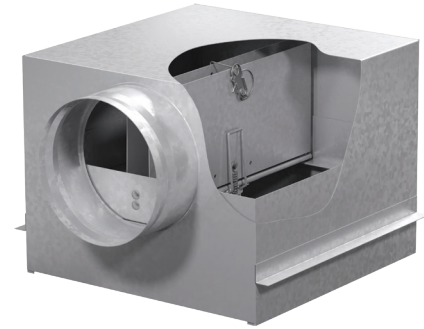
Construction	Standard	Optional
<b>Frame Material</b>	Galvanized steel*	-
<b>Blade Material</b>	Galvanized steel*	-
<b>Blade Insulation</b>	Ceramic Fiber	-
<b>Closure Device</b>	Fusible link	Volume controller
<b>Fusible Link</b>	165°F (74°C)	212°F (100°C)
<b>Enclosure Insulation</b>	Ceramic fiber blanket	-
<b>Inlet Shape</b>	Round	
<b>Inlet Type</b>	R	C, O
<b>Factory Supplied Plenum</b>	None	Steel
<b>Sealed Plenum Box</b>	No	Yes

\* in gauges required by UL listing R13446

Insulation provided by Greenheck.

### Options

- Clean wrap
- Extra fusible links



Damper is actual size. Shown with optional factory supplied plenum.



See complete marking on product.  
UL 555C Classification  
R13446

Model CRD-1WJ meets the requirements for ceiling radiation dampers established by:

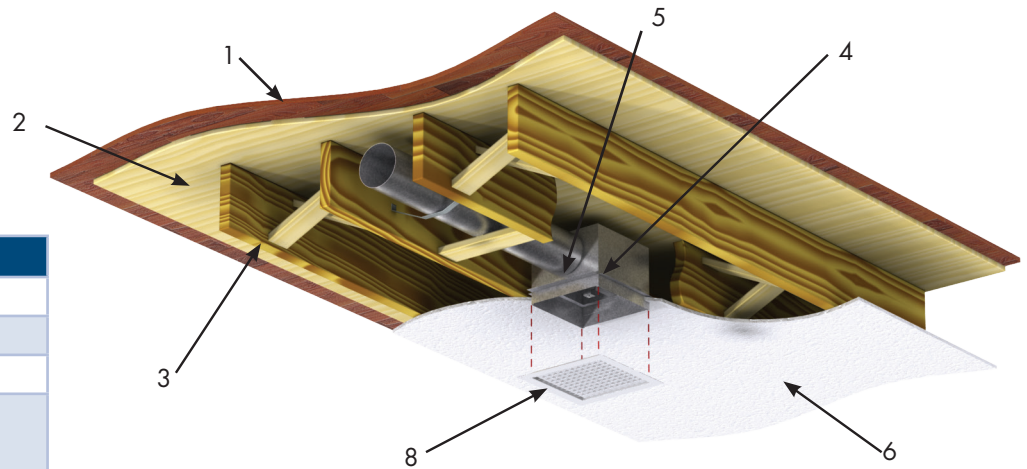
- National Fire Protection Association  
NFPA Standards, 90A and 101
- International Building Codes (IBC)

### UL Fire Resistance Directory Approved Ceiling Design Number:

[L501](#), [L502](#), [L503](#), [L506](#), [L507](#), [L508](#), [L512](#), [L513](#), [L514](#), [L515](#), [L516](#), [L517](#), [L519](#), [L522](#), [L523](#), [L533](#), [L537](#), and [L545](#)

Click on design number to open UL Fire Resistance Directory  
Other proprietary UL design numbers may be similar. Approval by AHJ or local code is required to use a Greenheck design when not specified.

# Wood Joist System



Number	Description
1	Flooring Systems
2	Wood Joists
3	Cross Bridging
4	CRD-1WJ Assembly (damper, steel enclosure, & insulation)
5	Mounting angle - not supplied
6	Gypsum board (see UL Fire Resistance Directory for type)
7	Finishing System (not shown)
8	Grille - not supplied

## Document Links



[INSTALLATION](#)



[CATALOG](#)

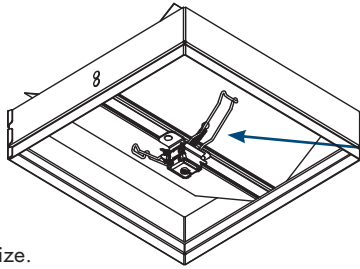


[DAMPER SELECTION  
GUIDE](#)

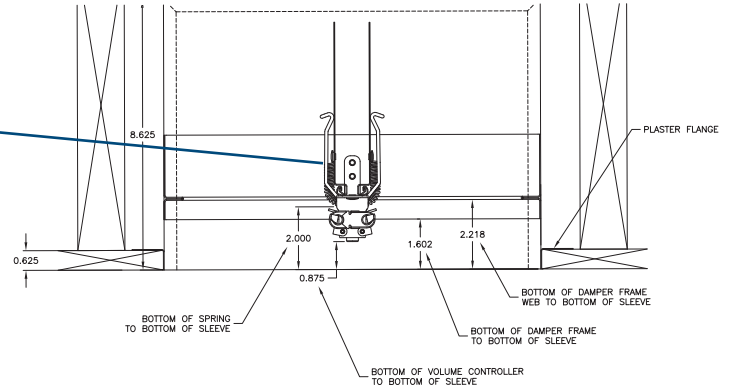


[WARRANTY](#)

## Volume Controller option

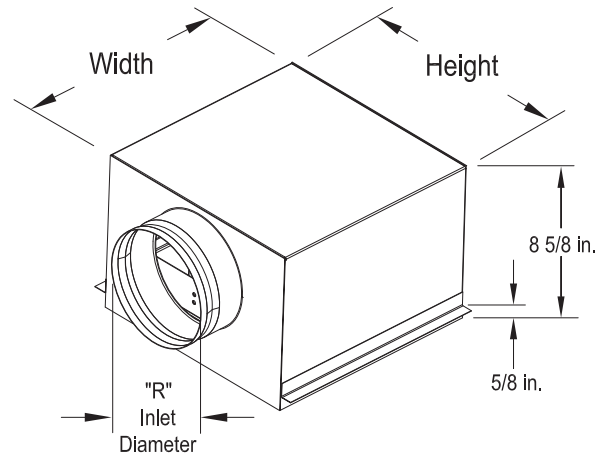


Damper is actual size.



## Inlet

Inlet Size Limitations		
W X H in. (mm)	Minimum	Maximum
R*	3 (76)	6 (152)
* Diameter Inlet size is limited by the damper height specified.		



R inlet is undersized  $\frac{1}{8}$  in. (3.2mm).