

### Application

The CRD-1WJ is a UL classified ceiling radiation damper for installation in wood joist construction with ratings up to an one hour. The CRD-1WJ provides the ceiling radiation damper installed in an insulated steel enclosure. The damper is positioned in the enclosure to accommodate 1 1/2 in. (38 mm) grille depth.

### Construction

Construction	Standard	Optional
Frame Material	Galvanized steel*	-
Blade Material	Galvanized steel*	-
Blade Insulation	Ceramic Fiber	-
Closure Device	Fusible link	Volume controller
Fusible Link	165°F (74°C)	212°F (100°C)
Enclosure Insulation	Ceramic fiber blanket	-
Inlet Shape	Round	
Inlet Type	R	-
Factory Supplied Plenum	None	Steel
Sealed Plenum Box	No	Yes

\* in gauges required by UL listing R13446

Insulation provided by Greenheck.

### Options

- Clean wrap
- Extra fusible links

### Size Limitations

W & H	Minimum Size	Maximum Size
Inches	4 x 6	16 x 12
mm	101 x 152	406 x 305



Damper is actual size. Shown with optional factory supplied plenum.



See complete marking on product.

UL 555C Classification  
R13446

Model CRD-1WJ meets the requirements for ceiling radiation dampers established by:

- National Fire Protection Association  
NFPA Standards, 90A and 101
- International Building Codes (IBC)

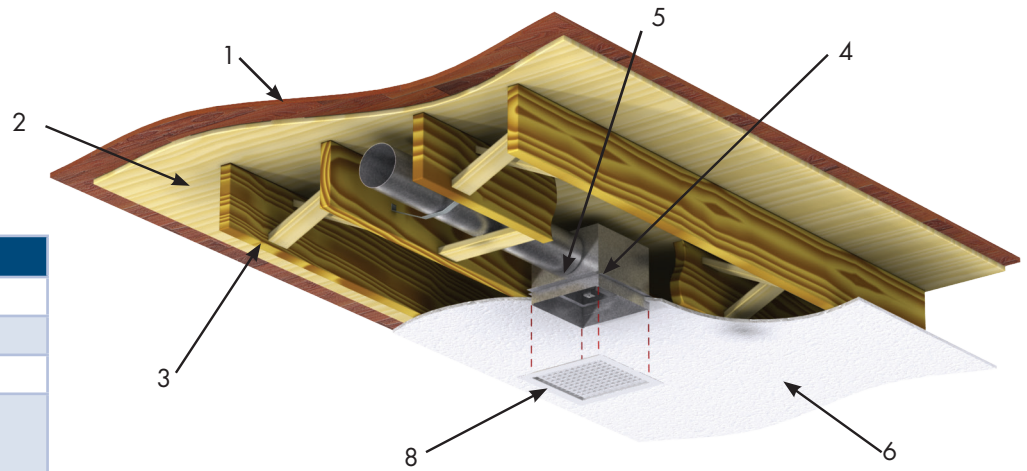
### UL Fire Resistance Directory Approved Ceiling Design Number:

L501, L502, L503, L506, L507, L508, L512, L513, L514, L515, L516, L517, L519, L522, L523, L533, L537, and L545

Go to [UL Product iQ](#) and search for design number.

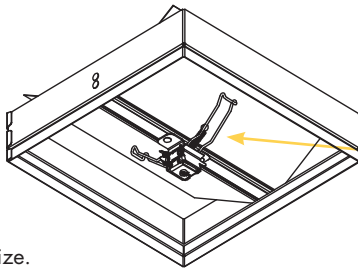
Other proprietary UL design numbers may be similar. Approval by AHJ or local code is required to use a Greenheck design when not specified.

# Wood Joist System

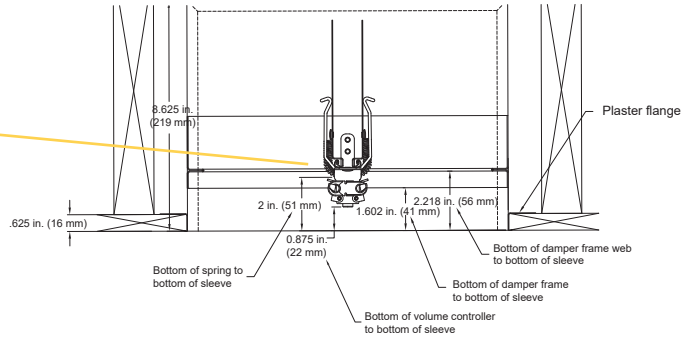


Number	Description
1	Flooring Systems
2	Wood Joists
3	Cross Bridging
4	CRD-1WJ Assembly (damper, steel enclosure, & insulation)
5	Mounting angle - not supplied
6	Gypsum board (see UL Fire Resistance Directory for type)
7	Finishing System (not shown)
8	Grille - not supplied

## Volume Controller option



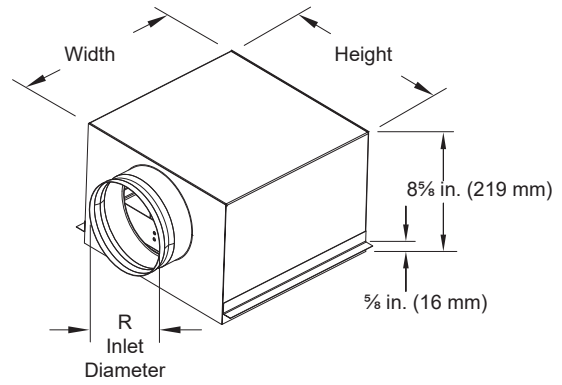
Damper is actual size.



# Inlet

Inlet Size Limitations		
W X H in. (mm)	Minimum	Maximum
R*	3 (76)	6 (152)

\* Diameter Inlet size is limited by the damper height specified.



R inlet is undersized  $\frac{1}{8}$  in. (3.2 mm).

## Document Links



[INSTALLATION](#)



[CATALOG](#)



[SELECTION GUIDE](#)



[WARRANTY](#)