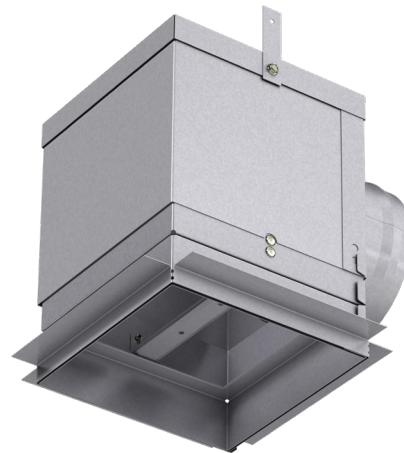


Application

The CRD-1WT is a UL classified ceiling radiation damper for installation in wood truss ceiling construction with ratings up to 1 hour.

The CRD-1WT provides the ceiling radiation damper with a plaster flange attached around the perimeter of the damper. The damper is positioned either flush with the ceiling for duct connection or above the ceiling for grille installation. The CRD-1WT damper must be installed with a plenum (factory or field supplied).



Damper is actual size, not undersized.

Construction

Construction	Standard	Optional
Frame Material	Galvanized steel*	-
Blade Material	Galvanized steel*	-
Closure Device	Fusible link	Volume controller
Fusible Link	165°F (74°C)	212°F (100°C)
Mounting Style	Grill mount	Duct mount
Factory Plenum	None	Steel, Ductboard
Sealed Plenum	No	Yes
Collar Location	Height Side	Width Side, None
Collar Type	Round	
Automatic Balancing Damper	No	Yes

* in gauges required by UL listing R13446



See complete marking on product.
UL 555C Classification
R13446

Model CRD-1WT meets the requirements for ceiling radiation dampers established by:

- National Fire Protection Association NFPA Standards 90A, and 101
- International Building Codes (IBC)

Damper Size Limitations		
W x H	Minimum	Maximum
in.	4 x 6	21 x 18
mm	102 x 152	533 x 457
Duct Collars		
in.	4	10*
mm	102	254

* Maximum combined area of plenum is 78½ sq. in. (1994 sq. mm).

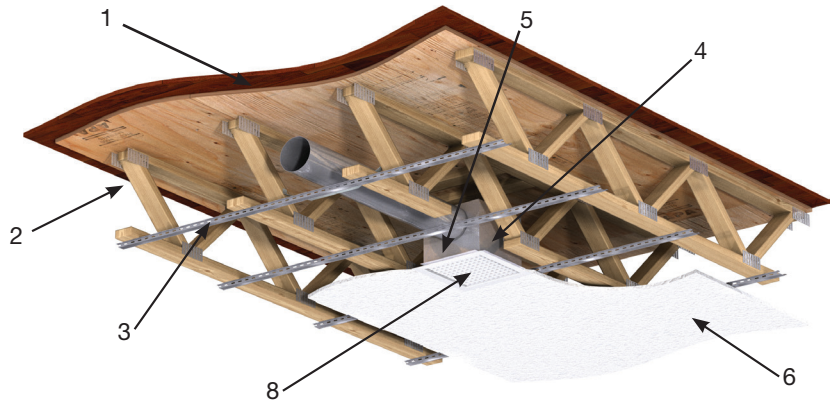
UL Fire Resistance Directory Approved Ceiling Design Number:

[L528](#), [L546](#), [L558](#), [L562](#), [L574](#), [L576](#), [L581](#), [L583](#), [L585](#), [L592](#), [M501](#), [M503](#), [M508](#), [P533](#), [P538](#), [P545](#), [P547](#), [P548](#), [P554](#), and [P580](#)

Click on design number to open UL Fire Resistance Directory
Other proprietary UL design numbers may be similar. Approval by AHJ or local code is required to use a Greenheck design when not specified.

Wood Truss Assembly

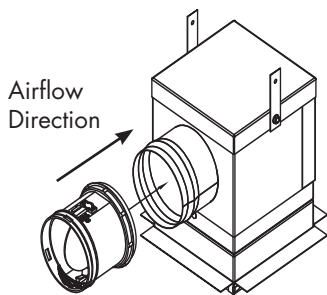
Number	Description
1	Flooring Systems
2	Wood Truss
3	Cross Bridging
4	CRD-1WT Assembly
5	Mounting angle- not supplied
6	Gypsum board (see UL Fire Resistance Directory for type)
7	Finishing System (not shown)
8	Grille - not supplied



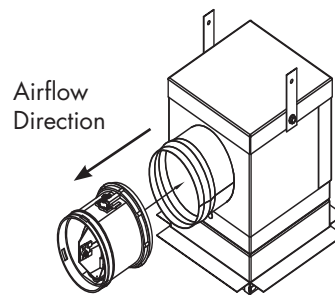
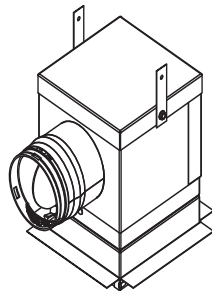
Options

- Volume controller
- Sealed plenum
- ABD - Automatic Balancing Damper

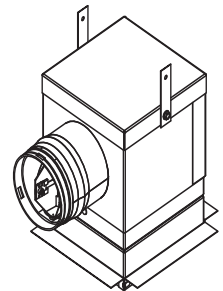
ABD Installation for Supply and Exhaust Applications



ABD INSTALLATION
FOR SUPPLY APPLICATIONS

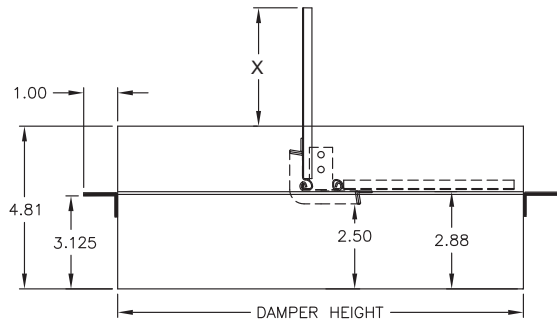


ABD INSTALLATION
FOR RETURN/EXHAUST APPLICATIONS



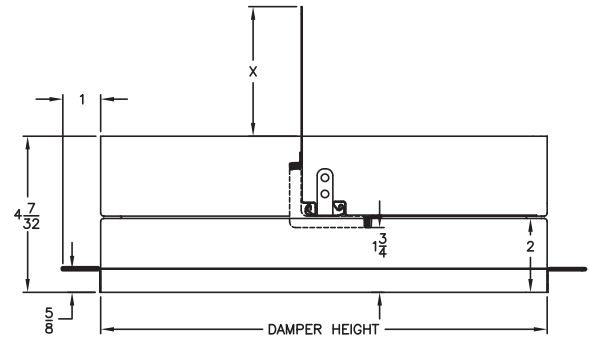
Damper Mounting Styles

Duct Mount

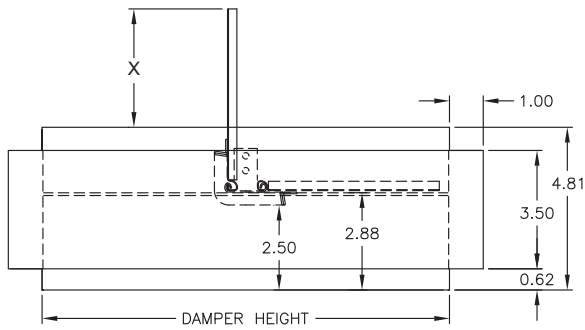


$$X = (\text{Nominal Height}/2) - 2.375$$

Grille Mount



$$X = (\text{Nominal Height}/2) - 2.375$$

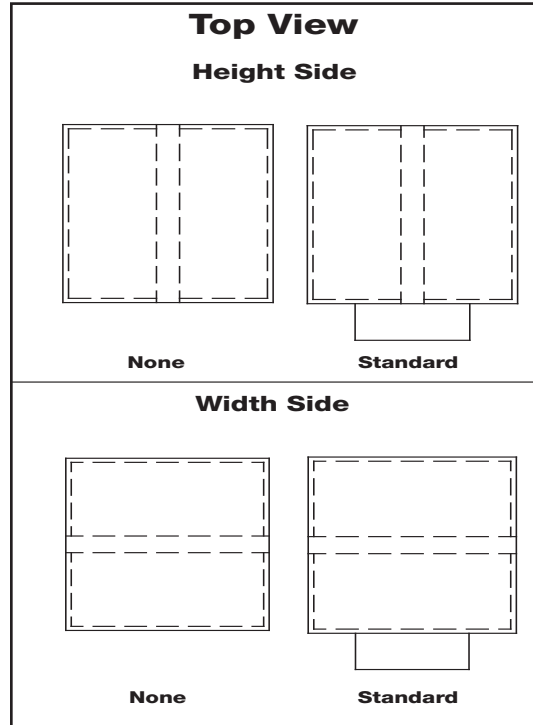


CRD-1WT with Insulation Band

$$X = (\text{Nominal Height}/2) - 2.375$$

(* used on dampers with steel plenum and a width or height greater than 12 inches.

Plenum Collar Locations



Document Links



[INSTALLATION](#)



[CATALOG](#)



[SELECTION GUIDE](#)



[WARRANTY](#)