

Application

The CRD-2WT is a UL classified ceiling radiation damper for installation in wood truss ceiling construction with ratings up to 1 hour.

The CRD-2WT provides the ceiling radiation damper with a plaster flange attached around the perimeter of the damper frame. The damper frame is positioned either flush with the ceiling for duct connection or above the ceiling for grille installation or extended below the ceiling for duct installation.

Construction

Construction	Standard	Optional
Frame Material	Galvanized steel*	-
Blade Material	Galvanized steel*	-
Closure Device	Fusible link	Volume controller
Fusible Link	165°F (74°C)	212°F (100°C)
Mounting Style	Grill mounted	Duct mounted
Collar Location	Top	-

* in gauges required by UL listing R13446



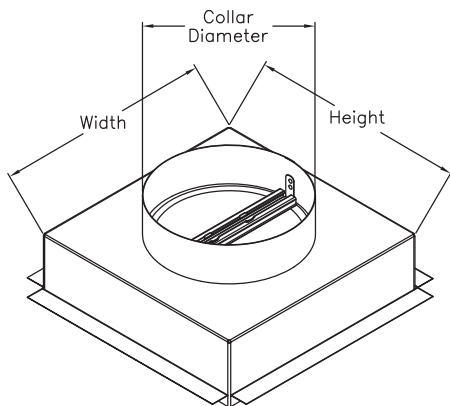
Width and height are actual size. Collar is nominal size (undersized 1/8 inch [6mm]).



See complete marking on product.
UL 555C Classification
R13446

Sizing

Damper Frame Size		
W x H	Minimum	Maximum
in.	5 x 5	12 x 12
mm	127 x 127	305 x 305
Collar Size		
in.	mm	mm
4	102	203
8	203	203



Model CRD-2WT meets the requirements for ceiling radiation dampers established by:

- National Fire Protection Association NFPA Standards 90A, and 101
- International Building Codes (IBC)

UL Fire Resistance Directory Approved Ceiling Design Number:

[L528](#), [L546](#), [L558](#), [L562](#), [L574](#), [L576](#), [L581](#), [L583](#), [L585](#), [L592](#), [M501](#), [M503](#), [M508](#), [P533](#), [P538](#), [P545](#), [P547](#), [P548](#), [P554](#), and [P580](#)

Click on design number to open UL Fire Resistance Directory
Other proprietary UL design numbers may be similar. Approval by AHJ or local code is required to use a Greenheck design when not specified.

Option

- Volume controller

Document Links



[INSTALLATION](#)



[CATALOG](#)



[SELECTION GUIDE](#)

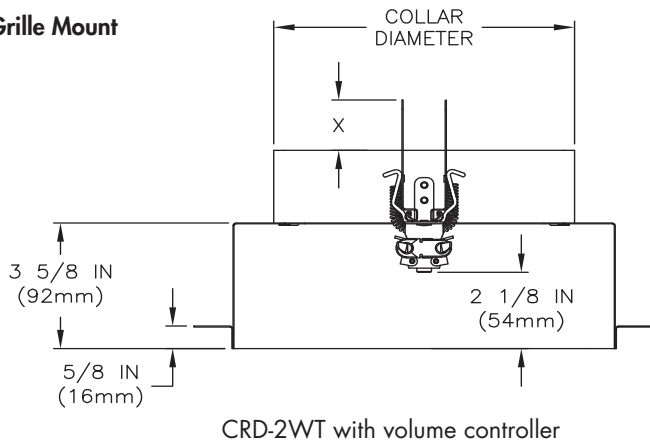


[WARRANTY](#)

Damper Mounting Styles

$$X = (\text{collar diameter}/2) - 2.5$$

Grille Mount



Duct Mount

