

## Application

The CRD-2WT is a UL classified ceiling radiation damper for installation in wood truss ceiling construction with ratings up to 1 hour. A thermal blanket is installed on the plenum box and blades.

The CRD-2WT provides the ceiling radiation damper with a plaster flange attached around the perimeter of the damper frame. The damper frame is positioned either flush with the ceiling for duct connection or above the ceiling for grille installation or extended below the ceiling for duct installation.



Width and height are actual size. Collar is nominal size (undersized 1/8 inch [6 mm]).

## Construction

Construction	Standard	Optional
<b>Frame Material</b>	Galvanized steel*	-
<b>Blade Material</b>	Galvanized steel*	-
<b>Closure Device</b>	Fusible link	Volume controller
<b>Fusible Link</b>	165°F (74°C)	212°F (100°C)
<b>Mounting Style</b>	Grill mounted	Duct mounted
<b>Collar Location</b>	Top	-

\* in gauges required by UL listing R13446

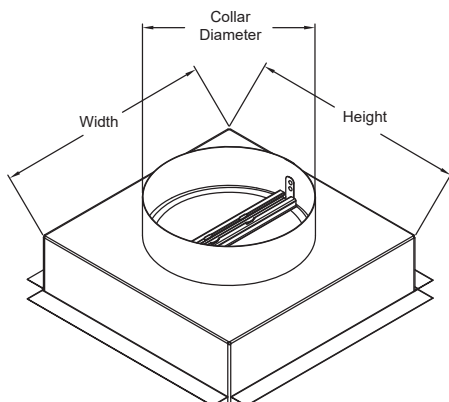


See complete marking on product.

UL 555C Classification  
R13446

## Size Limitations

Frame Size		
W x H	Minimum	Maximum
in.	5 x 5	12 x 12
mm	127 x 127	305 x 305
Collar Size		
	Minimum	Maximum
in.	4	8
mm	102	203



Model CRD-2WT meets the requirements for ceiling radiation dampers established by:

- National Fire Protection Association NFPA Standards 90A, and 101
- International Building Codes (IBC)

### UL Fire Resistance Directory Approved Ceiling Design Number:

L528, L546, L558, L562, L574, L576, L581, L583, L585, L592, M501, M503, M508, P533, P538, P545, P547, P548, P554, and P580

Go to [UL Product iQ](#) and search for design number.

Other proprietary UL design numbers may be similar. Approval by AHJ or local code is required to use a Greenheck design when not specified.

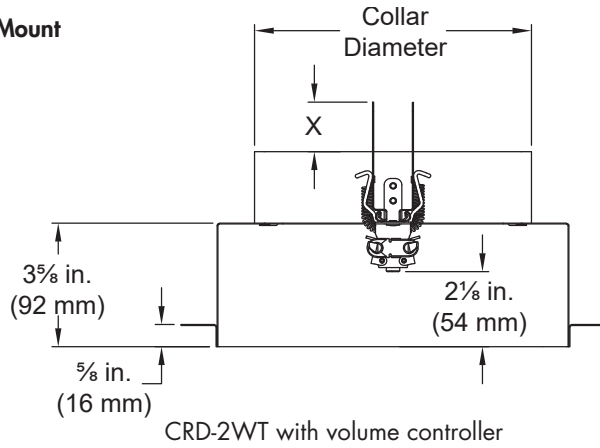
## Option

- Volume controller

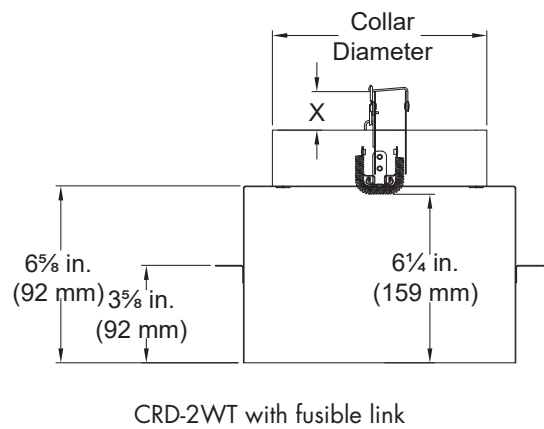
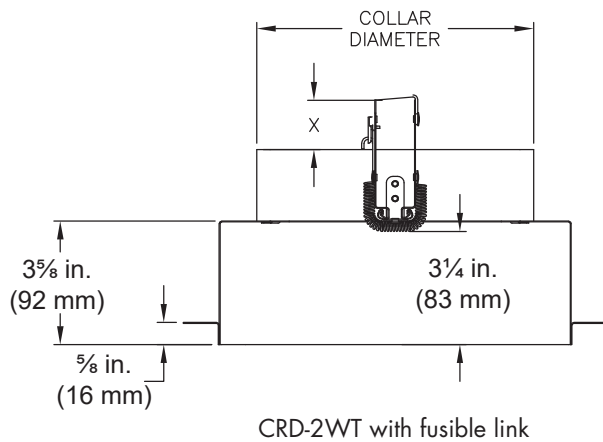
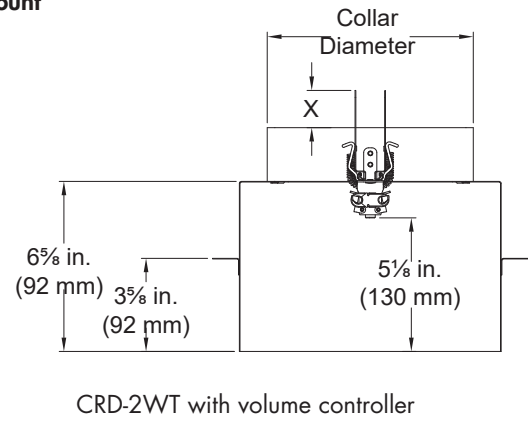
## Damper Mounting Styles

$$X = (\text{collar diameter} / 2) - 2.5$$

### Grille Mount



### Duct Mount



## Document Links



[INSTALLATION](#)



[CATALOG](#)



[SELECTION GUIDE](#)



[WARRANTY](#)