

Application

Model DFD-150X series is approved for use in walls, floors, and partitions with fire resistance ratings less than 3 hours. This model carries a 1 1/2 hour UL 555 fire damper label and is dynamic rated for use in HVAC systems that are operational in the event of fire.

Ratings

UL 555 Fire Resistance

Fire Rating: 1 1/2 hours

Velocity

4000 fpm (20.3 m/s) vertical mount only, up to 24 in. x 24 in. (610mm x 610mm);
2000 fpm (10.2 m/s) vertical or horizontal mount all sizes

Pressure

Maximum: 4 in. wg (1 kPa)



* W&H dimension furnished approximately 1/4 in. (6mm) undersize.

Construction

Construction	Standard	Optional
Frame Material	Galvanized steel*	-
Blade Material	Galvanized steel*	-
Closure Spring	Stainless steel	-
Fusible Link	165°F (74°C)	212°F or 286°F (100°C or 141°C)
Mounting	Vertical	Horizontal

* in gauges required by UL listing R13317



See complete marking on product.

UL 555 Classification R13317

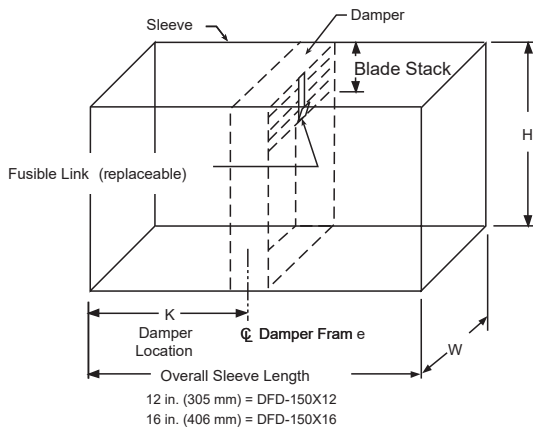
Model DFD-150X series meets the requirements for fire dampers established by:

National Fire Protection Association

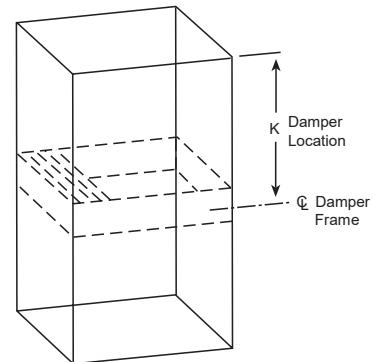
(NFPA Standards 80, 90A & 101)

Underwriters Laboratories Standard 555 (Listing #R13317)

IBC International Building Codes



VERTICAL MOUNT



HORIZONTAL MOUNT

Options and Accessories

- Breakaway connections
- Clean wrap
- Closed indicator switch
- Flanges
- Grille tabs
- Retaining angles
- Transitions: B, C, CO, CR, R

Document Links



[INSTALLATION](#)



[CATALOG](#)



[SELECTION GUIDE](#)



[WARRANTY](#)

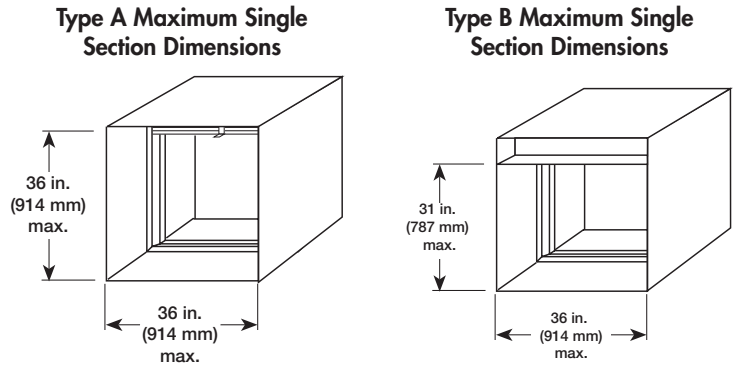
Type A & B

This model is single section only. Installation of sizes larger than the maximum shown requires approval of the authority having jurisdiction. Dimensions are in inches (mm).

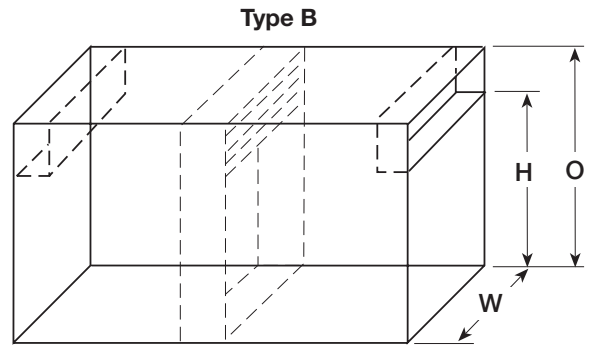
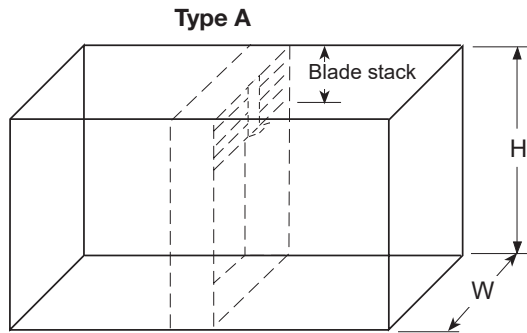
Size Limitations

Inches (mm)	Type A		Type B	
	Minimum	Maximum*	Minimum	Maximum*
Single Section Vertical	8 x 8 (203 x 203)	36 x 36 (914 x 914)	8 x 6 (203 x 152)	36 x 31 (914 x 787)
Single Section Horizontal	8 x 8 (203 x 203)	30 x 30 (762 x 762)	8 x 6 (203 x 152)	30 x 26 (762 x 660)

* Sizes are based on 165°F closure temperature and 2000 fpm. Consult factory for maximum size for different temperatures and velocities.



Overall Damper Dimension



Horizontal Mount

H*	O*	H*	O*
3 (76)	5 (127)	19 (483)	22 (559)
4 (102)	6 (152)	20 (508)	23 (584)
5 (127)	7 (178)	21 (533)	24 (610)
6 (152)	8 (203)	22 (559)	26 (660)
7 (178)	9 (229)	23 (584)	27 (686)
8 (203)	10 (254)	24 (610)	28 (711)
9 (229)	11 (279)	25 (635)	29 (737)
10 (254)	12 (305)	26 (660)	30 (762)
11 (279)	13 (330)	27 (686)	31 (787)
12 (305)	14 (356)	28 (711)	31 (787)
13 (330)	15 (381)	29 (737)	32 (813)
14 (356)	16 (406)	30 (762)	33 (838)
15 (381)	18 (457)	31 (787)	34 (864)
16 (406)	19 (483)	32 (813)	35 (889)
17 (432)	20 (508)	33 (838)	36 (914)
18 (457)	21 (533)	-	-

Vertical Mount

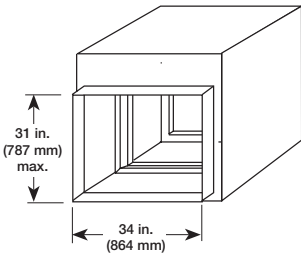
H*	O*	H*	O*
3 (76)	5 (127)	18 (457)	21 (533)
4 (102)	6 (152)	19 (483)	22 (559)
5 (127)	7 (178)	20 (508)	23 (584)
6 (152)	8 (203)	21 (533)	24 (610)
7 (178)	9 (229)	22 (559)	26 (660)
8 (203)	10 (254)	23 (584)	27 (686)
9 (229)	11 (279)	24 (610)	28 (711)
10 (254)	12 (305)	25 (635)	29 (737)
11 (279)	13 (330)	26 (660)	30 (762)
12 (305)	14 (356)	27 (686)	31 (787)
13 (330)	15 (381)	28 (711)	32 (813)
14 (356)	16 (406)	29 (737)	33 (838)
15 (381)	18 (457)	30 (762)	34 (864)
16 (406)	19 (483)	31 (787)	36 (914)
17 (432)	20 (508)	-	-

Types C, CO, & CR

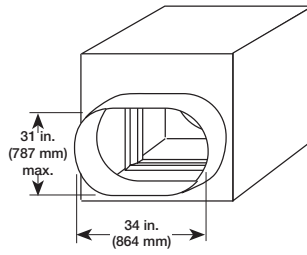
Inches (mm)	Type CR		Type CO & C	
	Minimum	Maximum*	Minimum	Maximum*
Single Section Vertical	6 (152)	30 (762)	6 x 5 (152 x 127)	34 x 31 (864 x 787)
Single Section Horizontal	6 (152)	25 (635)	6 x 5 (152 x 127)	28 x 25 (711 x 635)

* Sizes are based on 165°F closure temperature and 2000 fpm. Consult factory for maximum size for different temperatures and velocities.

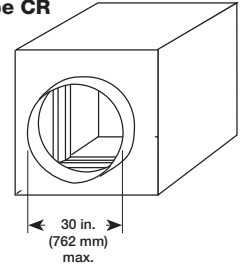
Type C



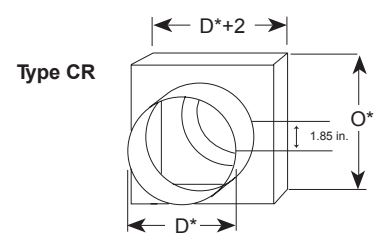
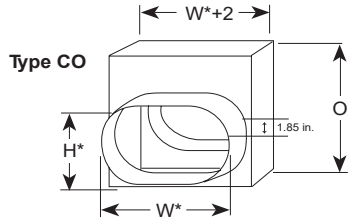
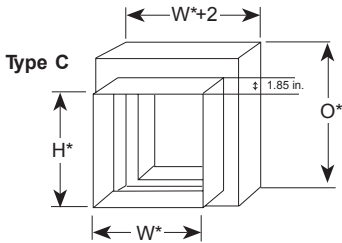
Type CO



Type CR



Overall Damper Dimensions



C, CO, CR transitions are positioned 1 in. (25mm) from bottom of sleeve.

Horizontal Mount

H* or D*	O*	H* or D*	O*
5 (127)	8 (203)	19 (483)	23 (584)
6 (152)	9 (229)	20 (508)	24 (610)
7 (178)	10 (254)	21 (533)	26 (660)
8 (203)	11 (279)	22 (559)	27 (686)
9 (229)	12 (305)	23 (584)	28 (711)
10 (254)	13 (330)	24 (610)	29 (737)
11 (279)	14 (356)	25 (635)	30 (762)
12 (305)	15 (381)	26 (660)	31 (787)
13 (330)	16 (406)	27 (686)	32 (813)
14 (356)	18 (457)	28 (711)	33 (838)
15 (381)	19 (483)	29 (737)	34 (868)
16 (406)	20 (508)	30 (762)	36 (914)
17 (432)	21 (533)	31 (787)	37 (940)
18 (457)	22 (559)	32 (813)	37 (940)

Vertical Mount

H* or D*	O*	H* or D*	O*
5 (127)	8 (203)	18 (457)	22 (559)
6 (152)	9 (229)	19 (483)	23 (584)
7 (178)	10 (254)	20 (508)	24 (610)
8 (203)	11 (279)	21 (533)	26 (660)
9 (229)	12 (305)	22 (559)	27 (686)
10 (254)	13 (330)	23 (584)	28 (711)
11 (279)	14 (356)	24 (610)	29 (737)
12 (305)	15 (381)	25 (635)	30 (762)
13 (330)	16 (406)	26 (660)	31 (787)
14 (356)	18 (457)	27 (686)	31 (787)
15 (381)	19 (483)	28 (711)	32 (813)
16 (406)	20 (508)	29 (737)	33 (838)
17 (432)	21 (533)	30 (762)	34 (864)

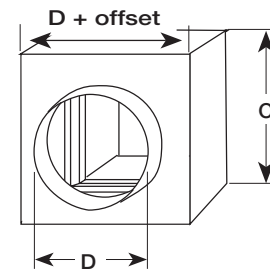
* Dimensions are in inches (mm). These dimensions are furnished approximately ¼ in. (6mm) undersize, except round and oval dimensions (D, H, W) are approximately ⅛ in. (3mm) undersize.

Type R

Inches (mm)	Type R*		
	Minimum	Maximum with 1 in. offset	Maximum with 2 in. offset
Single Section Vertical	6 (152)	35 (889)	34 (864)
Single Section Horizontal	6 (152)	29 (737)	28 (711)

* Sizes are based on 165°F closure temperature and 2000 fpm. Consult factory for maximum size for different temperatures and velocities.

Overall Damper Dimensions



Type R transition is centered in damper sleeve.

To calculate O Dimension:

Diameter + offset (1 or 2 in.) = O Dimension