

Application

Model FD-150X series are approved for use in walls, floors, and partitions with fire resistance ratings less than 3 hours. This model carries a 1 1/2 hour UL 555 fire damper label and is static rated for use in HVAC systems that are automatically shut down in the event of a fire.

Ratings

UL 555 Fire Resistance Rating

Fire Rating: 1 1/2 hours

Construction

	Standard	Optional
Frame Material	Galvanized steel*	-
Blade Material	Galvanized steel*	-
Closure Spring	Stainless steel	-
Fusible Link	165°F (74°C)	212°F (100°C)
Mounting	Vertical	Horizontal

* in gauges required by UL listing R13317



* These dimensions are furnished approximately 1/4 in. (6mm) undersize.



See complete marking on product.
UL 555 Classification R13317

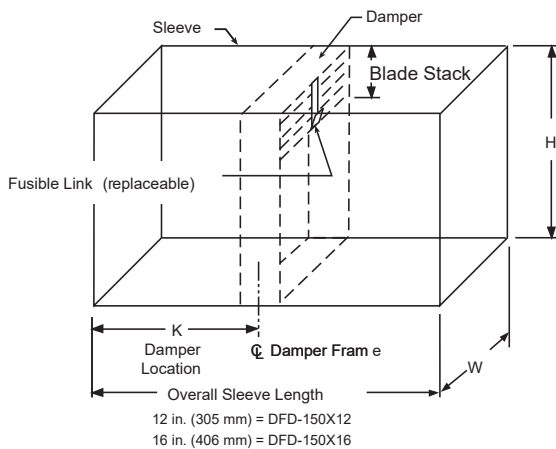
Model FD-150X series meets the requirements for fire dampers established by:

National Fire Protection Association

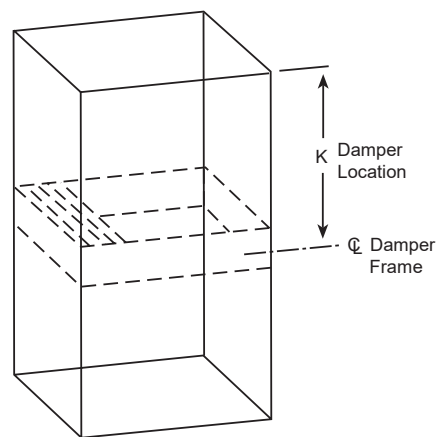
(NFPA Standards 80, 90A & 101)

Underwriters Laboratories Standard 555 (Listing #R13317)

IBC International Building Codes



VERTICAL MOUNT



HORIZONTAL MOUNT

Note: Horizontal dampers must be installed with the "K" dimension on the top side as shown (per UL test: see label on damper).
Horizontal dampers must have the access door installed on the top side to facilitate re-opening of the blades should the link melt.

Options and Accessories

- Breakaway connections
- Clean wrap
- Closed indicator switch
- Flanges
- Grille tabs
- Retaining angles
- Transitions: B, C, CO, CR, and R

Document Links



[INSTALLATION](#)



[CATALOG](#)



[SELECTION GUIDE](#)



[WARRANTY](#)

Type A & B

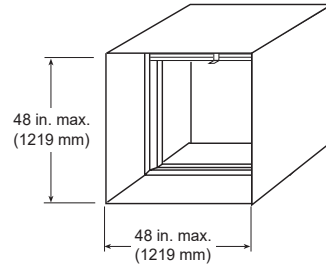
Dampers are supplied in single section only. Installation of sizes larger than the maximum shown requires approval of the authority having jurisdiction.

Size Limitations

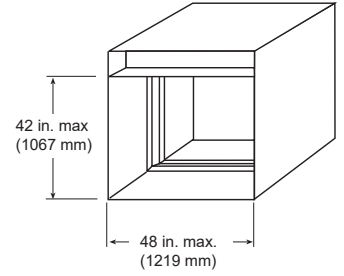
Inches (mm)	Type A	Type B
	Vertical or Horizontal	
	Single Section	
Minimum	8 x 8 (203 x 203)	8 x 6 (203 x 152)
Maximum	48 x 48 (1219 x 1219)	48 x 42 (1219 x 1067)

Installation of sizes larger than the maximum shown requires approval of the authority having jurisdiction.

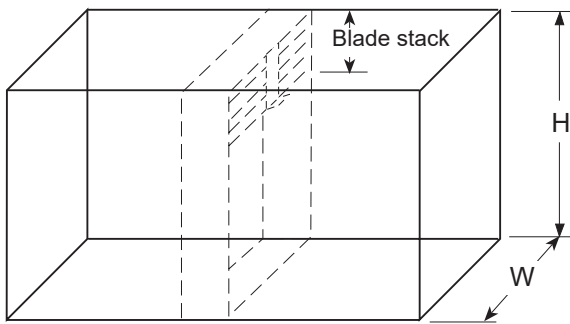
Maximum Single Section Dimensions Type A



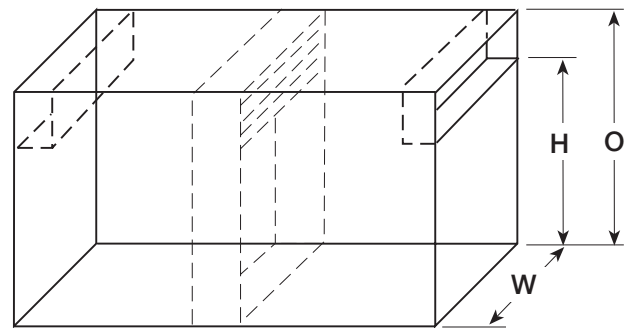
Maximum Single Section Dimensions Type B



Type A



Type B



Type B Overall Damper Dimensions

H*	O*
3 (76)	5 (127)
4 (102)	6 (152)
5 (127)	7 (178)
6 (152)	8 (203)
7 (178)	9 (229)
8 (203)	10 (254)
9 (229)	11 (279)
10 (254)	12 (305)
11 (279)	13 (330)
12 (305)	14 (356)
13 (330)	15 (381)
14 (356)	16 (406)
15 (381)	18 (457)
16 (406)	19 (483)
17 (432)	20 (508)
18 (457)	21 (533)
19 (483)	22 (559)
20 (508)	23 (584)
21 (533)	24 (610)
22 (559)	26 (660)

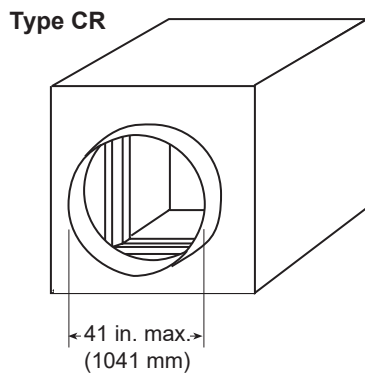
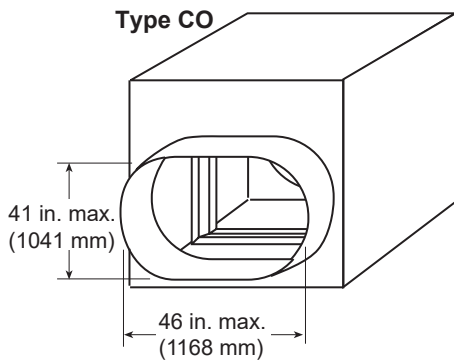
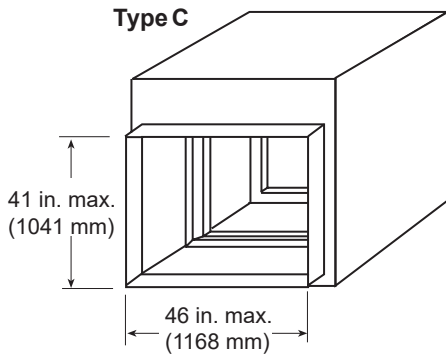
H*	O*
23 (584)	27 (686)
24 (610)	28 (711)
25 (635)	29 (737)
26 (660)	30 (762)
27 (686)	31 (787)
28 (711)	32 (813)
29 (737)	33 (838)
30 (762)	34 (864)
31 (787)	36 (914)
32 (813)	37 (940)
33 (838)	38 (965)
34 (864)	39 (991)
35 (889)	40 (1016)
36 (914)	41 (1041)
37 (940)	42 (1067)
38 (965)	44 (1118)
39 (991)	45 (1143)
40 (1016)	46 (1168)
41 (1041)	47 (1194)
42 (1067)	48 (1219)

* Dimensions are in inches (mm). These dimensions are furnished approximately 1/4 in. (6mm) undersize.

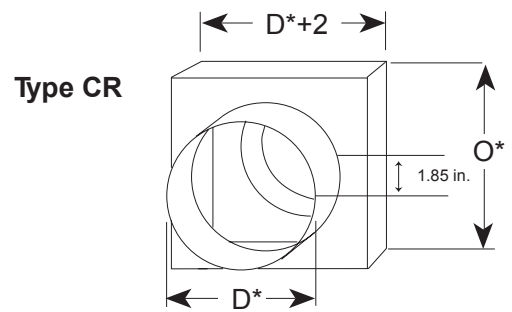
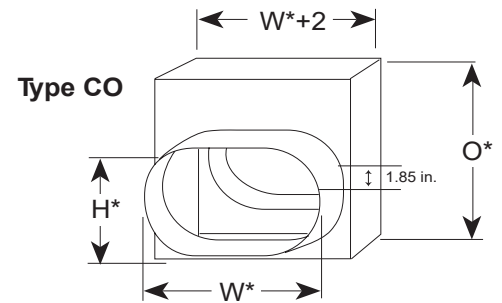
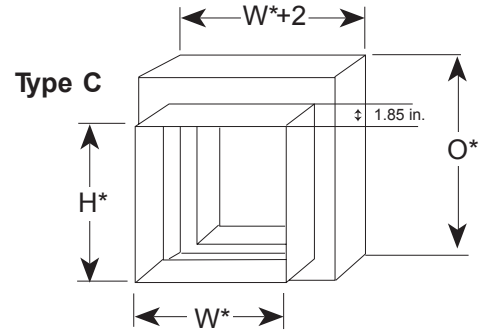
Type C, CO & CR

Inches (mm)	C & CO		CR	
	Minimum	Maximum	Minimum	Maximum
Vertical or Horizontal	6 x 5 (152 x 127)	46 x 41 (1168 x 1041)	6 (152)	41 (1041)

*1 With 2 in. (51 mm) offset. Sizes adjust with 1 in. (25 mm) offset.



Overall Damper Dimensions



*See page 5 for O dimension information.

C, CO, CR transitions are positioned 1 in. (25mm) from bottom of sleeve.

Type C, CO & CR

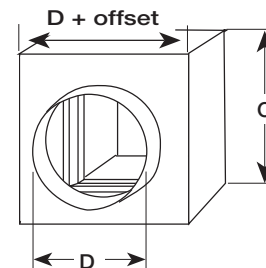
H* or D*	O*	H* or D*	O*
5 (127)	8 (203)	24 (610)	29 (737)
6 (152)	9 (229)	25 (635)	30 (762)
7 (178)	10 (254)	26 (660)	31 (787)
8 (203)	11 (279)	27 (686)	32 (813)
9 (229)	12 (305)	28 (711)	33 (838)
10 (254)	13 (330)	29 (737)	34 (864)
11 (279)	14 (356)	30 (762)	36 (914)
12 (305)	15 (381)	31 (787)	37 (940)
13 (330)	16 (406)	32 (813)	38 (965)
14 (356)	18 (457)	33 (838)	39 (991)
15 (381)	19 (483)	34 (864)	40 (1016)
16 (406)	20 (508)	35 (889)	41 (1041)
17 (432)	21 (533)	36 (914)	42 (1067)
18 (457)	22 (559)	37 (940)	44 (1118)
19 (483)	23 (584)	38 (965)	45 (1143)
20 (508)	24 (610)	39 (991)	46 (1168)
21 (533)	26 (660)	40 (1016)	47 (1194)
22 (559)	27 (686)	40 (1016)	47 (1194)
23 (584)	28 (711)	41 (1041)	48 (1219)

* Dimensions are in inches (mm). These dimensions are furnished approximately ¼ in. (6mm) undersize, except round and oval dimensions (D, H, W) are approximately ⅛ in. (3mm) undersize.

Type R

Inches (mm)	Type R'		
	Minimum	Maximum with 1 in. offset	Maximum with 2 in. offset
Single Section Vertical or Horizontal	6 (152)	47 (1194)	46 (1168)

Overall Damper Dimensions



Type R transition is centered in damper sleeve.

To calculate O Dimension:

Diameter + offset (1 or 2 in.) = O Dimension