

Application

The ICD-45 is a low leakage thermally insulated damper with extruded airfoil blades. ICD-45 features thermally broken frame and blade will minimize the transfer of thermal energy and reduces condensation. It's also IECC (International Energy Conservation Code) compliant with a leakage rating of 3 cfm/ft² @ 1 in. wg (55 cmh/m² @ .25 kPa) or less.

The new quick connect frame allows easy connection to ductwork.

Note regarding UV lights:

The dampers should not be mounted or stored in direct line of sight to UV lights.

Ratings

Pressure

Up to 8 in. wg (2kPa) pressure differential

Velocity

2,500 to 4,000 fpm (12.7 m/s - 20.3 m/s)

Leakage

Class 1A @ 1 in. wg at -40°F (Class 1A @ .25 kPa at -40°C)
Class 1 @ 4 in. wg at -40°F (Class 1 @ 4 in. wg at -40°C)

Temperature

-70°F to 200°F (-56°C to 93°C)

Construction

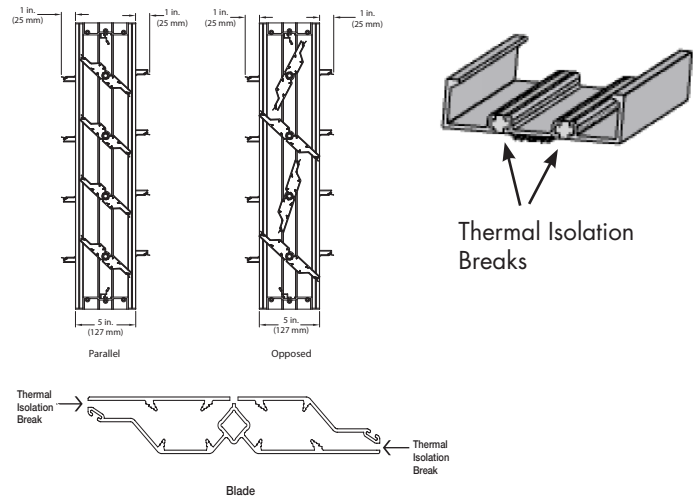
	Standard	Optional
Frame Material	Aluminum, thermally broken (6063T5)	
Frame Thickness	.125 in. (3.2mm)	
Frame Type	5 in. x 1 in. (127mm x 25mm) Quick Connect	Single Flange, Reverse Flange, Channel
Blade Action	Opposed	Parallel
Blade Material	Extruded Aluminum (6063T5)	
Blade Type	Insulated Thermally Broken Airfoil	
Linkage	Plated Steel Out of Airstream	316SS
Axle Bearings	Dual Bearing With Acetal Inner Sleeve, Flanged Outer Bearing	
Axle Material	1/2 Inch Plated Steel	316SS
Blade Seals	Silicone	
Jamb Seals	Silicone	

Notes:

Electric actuators and manual operators available. Factory supplied actuators are sized for 1500 fpm (7 m/s) and fully-closed differential pressure of 2 in. wg (.5 kPa). Contact factory for actuator sizing on applications exceeding those limits.



Blade Operation



Size Limitations

in. (mm) W x H	Frame Type				
	Channel, Single or Reverse Flange		Quick Connect		
Blade Action	Parallel	Opposed	Parallel	Opposed	
Min. Size	Internal Mount	8 x 8 (203 x 203)	8 x 8 (203 x 203)	-	
	External Mount	8 x 7 (203 x 178)	8 x 7 (203 x 178)		
Max. Size	Single Section	60 in. W x 78 in. H (1524mm x 1981mm)		60 in. W x 76 in. H (1524mm x 1930mm)	
	Multi-Section	180 in. W x 156 in. H (4572mm x 3962mm)		96 in. W x 152 in. H (2438mm x 3861mm)	

Options and Accessories

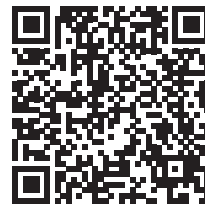
- Actuator: bracket only, manual quadrant, variety of 24V, 120V, actuators
- Actuator mounting; external and external kit
- Clean wrap
- NEMA enclosures
- 120V to 24V Transformer
- Multi-Voltage Transformer

Document Links

[Installation Instructions](#)



[Yenco Product Catalog](#)

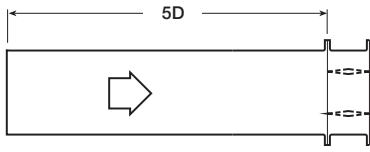


[Damper Warranty](#)



AMCA Pressure Drop

AMCA 5.2



12 x 12 (305mm x 305mm)	
Velocity (fpm)	Pressure Drop (in. wg)
500	.03
1000	.11
1500	.25
2000	.45
2500	.71
3000	1.03
3500	1.40
4000	1.83

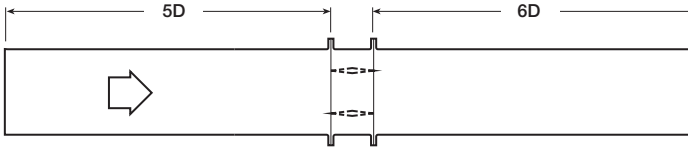
24 x 24 (610mm x 610mm)	
Velocity (fpm)	Pressure Drop (in. wg)
500	.02
1000	.08
1500	.19
2000	.34
2500	.53
3000	.77
3500	1.05
4000	1.37

36 x 36 (914mm x 914mm)	
Velocity (fpm)	Pressure Drop (in. wg)
500	.01
1000	.05
1500	.11
2000	.21
2500	.33
3000	.47
3500	.64
4000	.84

12 x 48 (305mm x 1219mm)	
Velocity (fpm)	Pressure Drop (in. wg)
500	.01
1000	.06
1500	.14
2000	.25
2500	.40
3000	.57
3500	.78
4000	1.02

48 x 12 (1219mm x 305mm)	
Velocity (fpm)	Pressure Drop (in. wg)
500	.03
1000	.14
1500	.32
2000	.57
2500	.89
3000	1.29
3500	1.76
4000	2.30

AMCA 5.3



12 x 12 (305mm x 305mm)	
Velocity (fpm)	Pressure Drop (in. wg)
500	.01
1000	.04
1500	.09
2000	.17
2500	.26
3000	.38
3500	.52
4000	.67

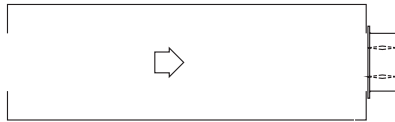
24 x 24 (610mm x 610mm)	
Velocity (fpm)	Pressure Drop (in. wg)
500	.01
1000	.03
1500	.08
2000	.14
2500	.22
3000	.32
3500	.43
4000	.57

36 x 36 (914mm x 914mm)	
Velocity (fpm)	Pressure Drop (in. wg)
500	.01
1000	.02
1500	.04
2000	.08
2500	.12
3000	.18
3500	.24
4000	.32

12 x 48 (305mm x 1219mm)	
Velocity (fpm)	Pressure Drop (in. wg)
500	.01
1000	.02
1500	.06
2000	.10
2500	.17
3000	.24
3500	.33
4000	.43

48 x 12 (1219mm x 305mm)	
Velocity (fpm)	Pressure Drop (in. wg)
500	.01
1000	.06
1500	.14
2000	.25
2500	.40
3000	.58
3500	.79
4000	1.03

AMCA 5.5



12 x 12 (305mm x 305mm)	
Velocity (fpm)	Pressure Drop (in. wg)
500	.05
1000	.23
1500	.52
2000	.93
2500	1.44
3000	2.08
3500	2.83
4000	3.70

24 x 24 (610mm x 610mm)	
Velocity (fpm)	Pressure Drop (in. wg)
500	.05
1000	.21
1500	.47
2000	.84
2500	1.32
3000	1.90
3500	2.59
4000	3.39

36 x 36 (914mm x 914mm)	
Velocity (fpm)	Pressure Drop (in. wg)
500	.04
1000	.14
1500	.33
2000	.58
2500	.91
3000	1.31
3500	1.79
4000	2.34

12 x 48 (305mm x 1219mm)	
Velocity (fpm)	Pressure Drop (in. wg)
500	.04
1000	.18
1500	.42
2000	.74
2500	1.16
3000	1.68
3500	2.28
4000	2.98

48 x 12 (1219mm x 305mm)	
Velocity (fpm)	Pressure Drop (in. wg)
500	.05
1000	.22
1500	.51
2000	.90
2500	1.41
3000	2.04
3500	2.78
4000	3.70

Leakage

AMCA Certified Leakage Data

Air leakage is based on operation between 32°F (0°C) and 120°F (49°C).

Tested for leakage in accordance with ANSI/AMCA Standard 500-D, Figure 5.5.

Tested for air performance in accordance with ANSI/AMCA Standard 500-D, Figures 5.2, 5.3 and 5.5.

Torque

Data are based on a torque of 9.0 in.lb./ft² (1.02 N·m) applied to close and seat the damper during the test.

ICD-45	Leakage Class*			
Maximum Damper Width	1 in. wg (0.25 kPa)	4 in. wg (1 kPa)	8 in. wg (2 kPa)	10 in. wg (2.5 kPa)
60 in. (1524mm)	1A	1	1	1

*Leakage Class Definitions

The maximum allowable leakage is defined by AMCA as the following:

- Leakage Class 1A - 3 cfm/ft² @ 1 in. wg (class 1A is only defined at 1 in. wg).
- Leakage Class 1
 - 4 cfm/ft² @ 1 in. wg
 - 8 cfm/ft² @ 4 in. wg
 - 11 cfm/ft² @ 8 in. wg
 - 12.6 cfm/ft² @ 10 in. wg

AMCA Certified Energy Efficiency Performance

Greenheck Model ICD-45 has a Thermal Efficiency Ratio of 941%.

A damper's Thermal Efficiency Ratio (E) is a comparison of the thermal performance of the tested damper with that of a standard reference damper, which is a 3V blade damper with blade and jamb seals. A damper with the same thermal efficiency as the reference damper would have an E of 0%. A damper that is twice as efficient as the reference damper would have an E of 100%.

Test Information

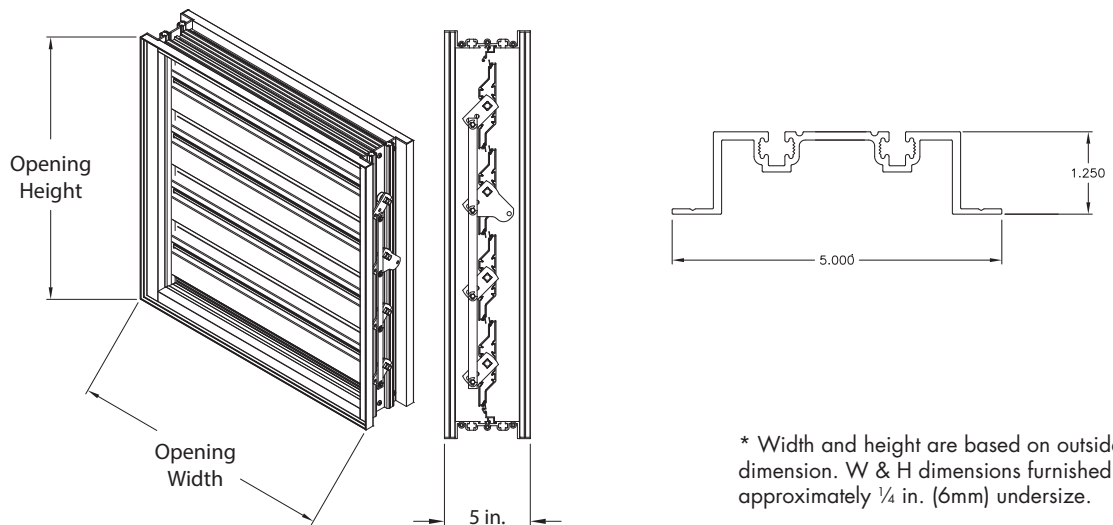
Testing was conducted on a 36" x 36" sample in AMCA 500-D figure 5.10 per AMCA standard 500-D's Thermal Efficiency test.

Torque

Data are based on a torque of 9.0 in.lb./ft² (0.56 N·m) applied to close and seat the damper during the test.

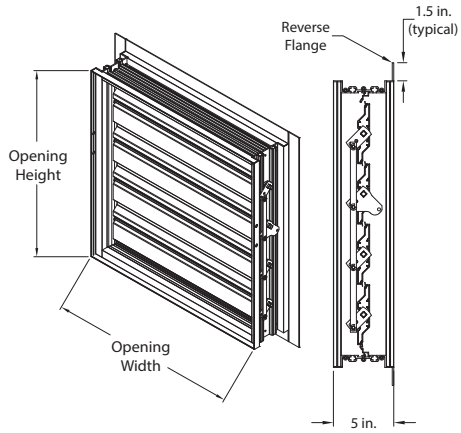
Frame Type Options

Channel Frame



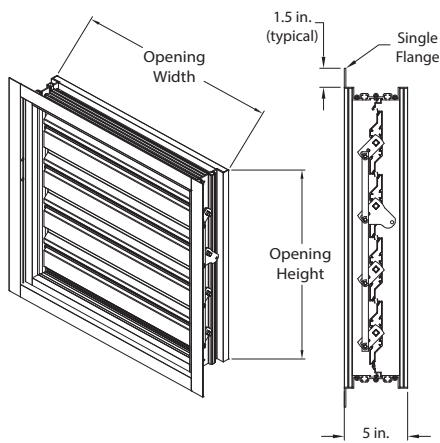
Frame Type Options

Reverse Flange



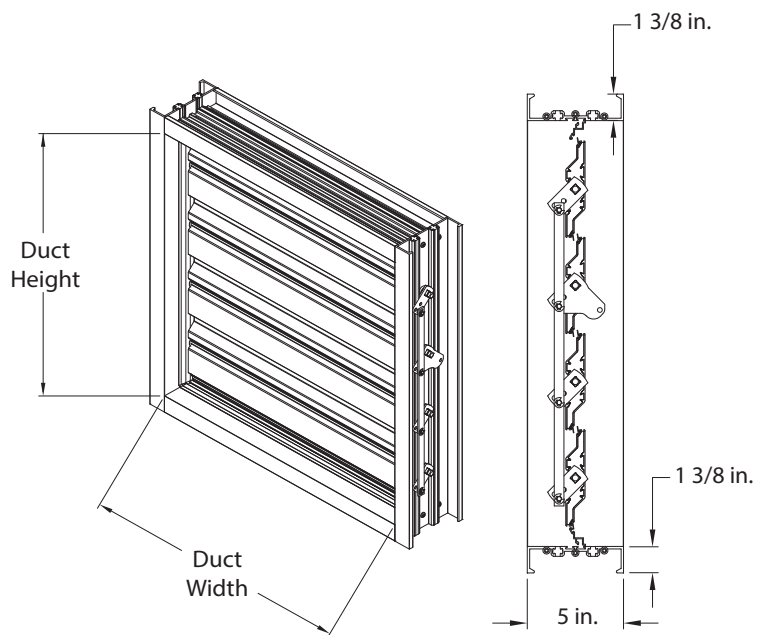
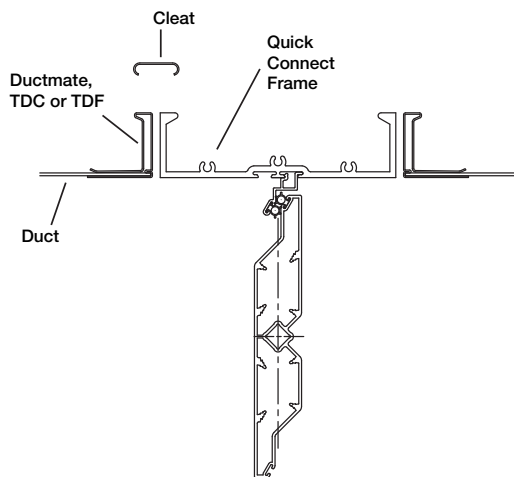
* Width and height are based on outside dimension. W & H dimensions furnished approximately 1/4 in. (6mm) undersize.

Single Flange



* Width and height are based on outside dimension. W & H dimensions furnished approximately 1/4 in. (6mm) undersize.

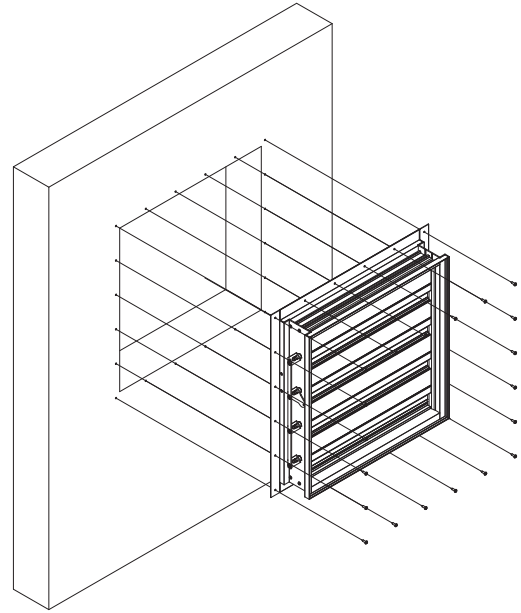
Quick Connect



Note: When ordering the Quick Connect Frame, size is based on duct size (or inside dimension of the damper frame). Quick Connect frame is actual size.

Plenum Wall Installation

There are applications that require mounting an ICD-45 into a plenum wall. This illustration depicts how to mount an ICD-45 into a plenum wall.

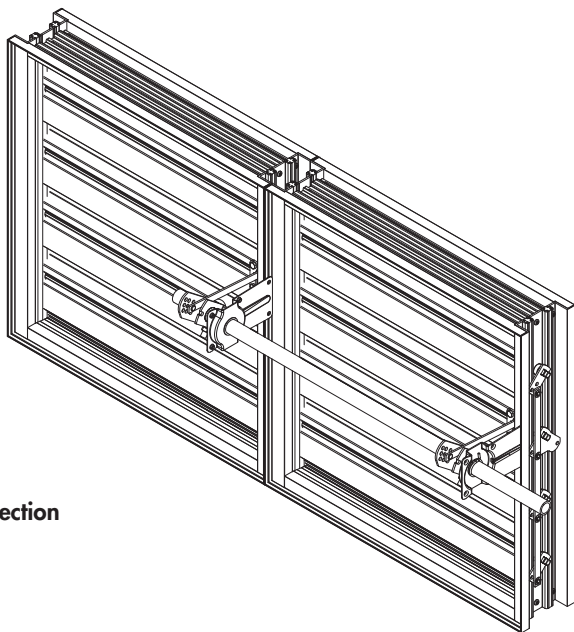


Multi-Section Dampers

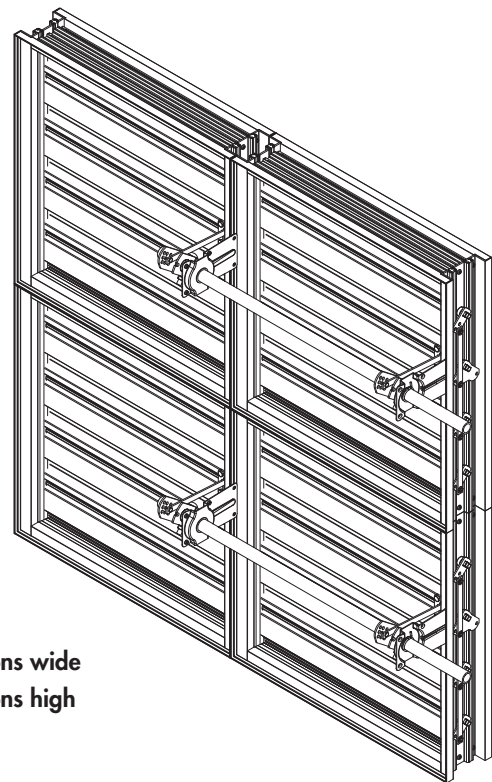
Dampers larger than the maximum single section size, will be made up of a multiple of equal size sections. Multiple section dampers can be jackshafted together so that all sections operate together as shown below.

NOTE: Dampers larger than 60 in. x78 in. (1524mm x 1981mm) are not intended to be structurally self supporting. Additional horizontal bracing is recommended to support the weight of the damper and vertical bracing should be installed as required to hold against system pressure.

Refer to IOM document #483516 for structural support requirements on multi-section assemblies.



Two section



Two sections wide
Two sections high