

Application

Model ODFD-150 is a dynamic rated out of wall fire damper for use in HVAC systems that are operating in the event of a fire. This fire damper is rated for use in walls or partitions with less than 3 hour fire resistance rating and can be mounted vertically or horizontally. Removal of grille allows access to the damper and fusible link.

Ratings

UL 555 Fire Resistance

Fire Rating: 1½ hours

Velocity

4000 fpm (20.3 m/s) vertical mount only, up to 24 in. x 24 in. (610mm x 610mm) vertical mount only, 165° link only;
2000 fpm (10.2 m/s) vertical or horizontal mount all sizes

Pressure

Maximum: 4 in. wg (1 kPa)



*W & H dimensions furnished approximately ¼ in. (6mm) undersize. (Add blanket thickness [⅛ in. (32mm)] plus sleeve thickness for overall sleeved damper dimension.)

Oversize opening as follows: Nominal damper size + ⅜ in. (9.5mm).

Construction

Construction	Standard	Optional
Frame Material	Galvanized steel*	-
Frame Depth	3 11/16 in. (94mm)	-
Blade Material	Galvanized steel*	-
Closure Spring	Stainless steel	-
Fusible Link	165°F (74°C)	212°F (100°C)
Mounting	Vertical	Horizontal

* in gauges required by UL listing R13317

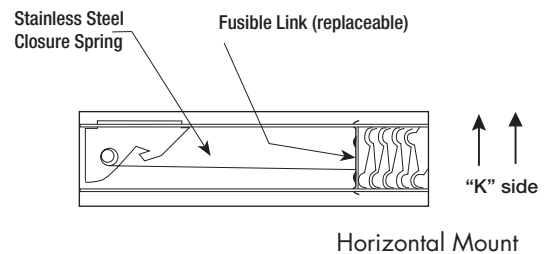
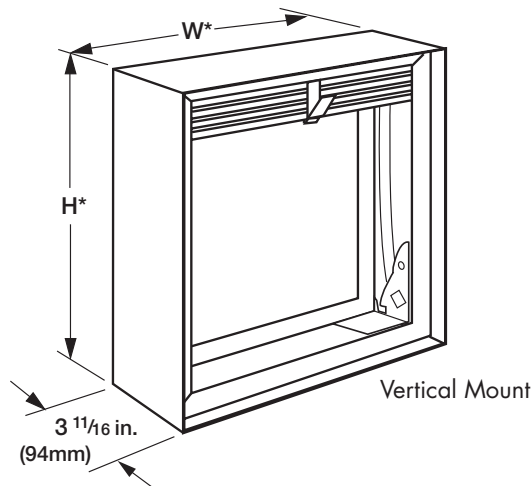


See complete marking on product.

UL 555 Classification R13317

Model ODFD-150 meets the requirements for fire dampers established by:

- National Fire Protection Association NFPA Standards, 80, 90A, and 101
- International Building Codes (IBC)
- CSFM California State Fire Marshal Fire Listing (#3225-0981:0102)



Options

- Transitions: B2
- Grille Tabs
- Closed Indicator Switch
- Retaining Angles

Document Links



CATALOG



SELECTION GUIDE



WARRANTY

Size Limitations

The following chart shows minimum and maximum damper sizes. Dimensions are in inches (mm in parentheses).

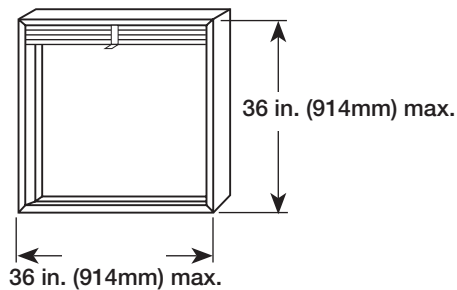
Inches (mm)	Type A		Type B2	
	Minimum	Maximum	Minimum	Maximum
Single Section Vertical	4 x 4 (102 x 102)	36 x 36 (914 x 914)	4 x 3 (102 x 76)	36 x 31 (914 x 787)
Single Section Horizontal		30 x 30 (762 x 762)		30 x 26 (762 x 660)

* Sizes are based on 165°F closure temperature and 2000 fpm. Consult factory for maximum size for different temperatures and velocities.

Type A

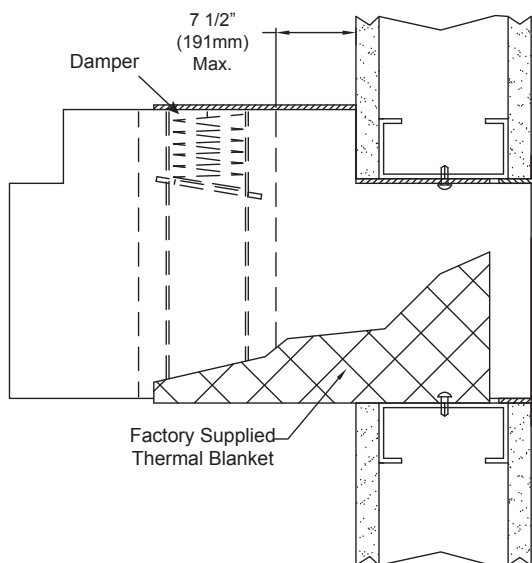
Maximum Single Section Dimensions

Maximum Single Section Dimensions

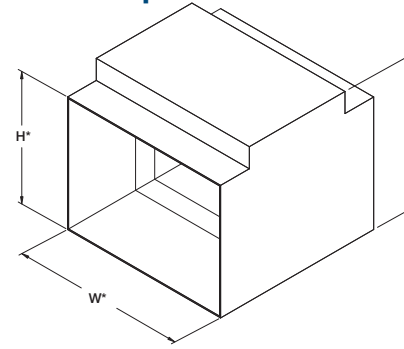


Type B2

When B2 transition is selected, a factory mounted sleeve is provided.



Type B2 Overall Damper Dimensions



Vertical Mount		Horizontal Mount	
H*	O*	H*	O*
3 (76)	5 (127)	3 (76)	5 (127)
4 (102)	6 (152)	4 (102)	6 (152)
5 (127)	7 (178)	5 (127)	7 (178)
6 (152)	8 (203)	6 (152)	8 (203)
7 (178)	9 (229)	7 (178)	9 (229)
8 (203)	10 (254)	8 (203)	10 (254)
9 (229)	11 (279)	9 (229)	11 (279)
10 (254)	12 (305)	10 (254)	12 (305)
11 (279)	13 (330)	11 (279)	13 (330)
12 (305)	14 (356)	12 (305)	14 (356)
13 (330)	15 (381)	13 (330)	15 (381)
14 (356)	16 (406)	14 (356)	16 (406)
15 (381)	18 (457)	15 (381)	18 (457)
16 (406)	19 (483)	16 (406)	19 (483)
17 (432)	20 (508)	17 (432)	20 (508)
18 (457)	21 (533)	18 (457)	21 (533)
19 (483)	22 (559)	19 (483)	22 (559)
20 (508)	23 (584)	20 (508)	23 (584)
21 (533)	24 (610)	21 (533)	24 (610)
22 (559)	26 (660)	22 (559)	26 (660)
23 (584)	27 (686)	23 (584)	27 (686)
24 (610)	28 (711)	24 (610)	28 (711)
25 (635)	29 (737)	25 (635)	29 (737)
26 (660)	30 (762)	26 (660)	30 (762)
27 (686)	31 (787)	27 (686)	31 (787)
28 (711)	32 (813)	28 (711)	32 (813)
29 (737)	33 (838)	29 (737)	33 (838)
30 (762)	34 (864)	30 (762)	34 (864)
31 (787)	36 (914)	31 (787)	36 (914)
		32 (813)	35 (889)
		33 (838)	36 (914)

* Dimensions in inches (mm). These dimensions are furnished 1/4 in. (6mm) undersize.