

### Application

The VCD-23V series is a vertical blade low leakage control damper used in buildings to regulate the flow air in an HVAC system. They can be used in intake, exhaust, or mixed air application.

This model is IECC (International Energy Conservation Code) compliant with a leakage rating of 3 cfm/ft<sup>2</sup> at 1 in. wg (55 cmh/m<sup>2</sup> at .25 kPa) or less.

### Damper Ratings

#### Velocity

Up to 3000 fpm (15.2 m/s)

#### Pressure

Up to 5 in. wg (1.2 kPa) - pressure differential

#### Leakage

Class 1A at 1 in. wg (0.25 kPa)  
Class 1 up to 5 in. wg (1.2 kPa)

#### Temperature

-40°F to 250°F (-40°C to 121°C). Consult factory for higher temperature

### Construction

	Standard	Optional
<b>Frame Material</b>	Galvanized Steel	304SS
<b>Frame Material Thickness</b>	16 ga. (1.5 mm)	12 ga. (2.7 mm)*
<b>Frame Type</b>	5 in. x 1 in. (127mm x 25mm) hat channel	Single flange, Reversed flange, Double flange
<b>Blade Material</b>	Galvanized steel	304SS
<b>Blade Type</b>	3V	-
<b>Blade Action</b>	Opposed	Parallel
<b>Blade Seals</b>	TPE	Silicone
<b>Linkage</b>	Plated steel out of airstream, concealed in jamb	316SS
<b>Axle Bearings</b>	Synthetic with thrush washers	316SS with thrush washers
<b>Axle Material</b>	Plated steel	316SS
<b>Jamb Seal</b>	Stainless Steel	-
<b>Paint Finishes</b>	Mill Finish	Baked Enamel, Hi Pro Polyester, Industrial Epoxy

\*When 12 ga. frame is selected and the damper height is less than 17 inches, low profile top and bottom frame members are utilized. These low profile frame members will be made from 16 ga. material.

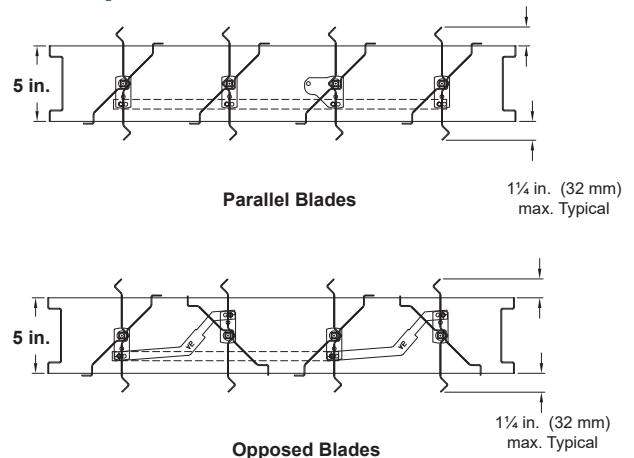


\*W&H dimension furnished approximately 1/4 in. (6mm) undersize.

### Size Limitations

W x H	Minimum Size	Maximum Size	
		Single Section	Multiple Section
<b>Inches</b>	6 x 6	74 x 48	148 x 96
<b>mm</b>	152 x 152	1880 x 1219	3759 x 2438

### Blade Operation



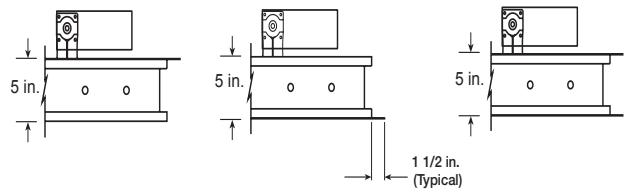
### Notes:

- Low profile head and sill are used on sizes less than 17 in. (432mm) high
- Electric actuator and manual quadrant available. Factory supplied actuators are sized for 1500 fpm (7m/s) and fully closed differential pressure of 2 in. wg (.5 kPa). Contact factory for actuator sizing on applications exceeding those limits.
- In applications where airflow could be uneven, such as a discharge fan, it is imperative to verify that at no point the maximum velocity exceeds the damper's cataloged velocity.

## Options

- Actuators (24V, 120V, manual, pull chain)
- Actuator mounting (external, external kit (field assembly), internal)
- Flanges
- Multi-section fastening
- NEMA enclosures (7)
- OCI (open or closed indicator)
- R Transition
- Retaining angles
- Sleeves
- Transformers

### Flange Options



Single Flange

Single Reversed

Double Flange

Shown with optional internally mounted actuator.

## Document Links



[INSTALLATION](#)



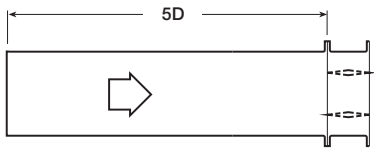
[CATALOG](#)



[WARRANTY](#)

# AMCA Certified Pressure Drop Data

## AMCA 5.2



12 in. x 12 in. (305mm x 305mm)

Velocity (fpm)	Pressure Drop (in. wg)
500	0.01
1000	0.05
1500	0.11
2000	0.19
2500	0.29
3000	0.41
3500	0.55
4000	0.72

24 in. x 24 in. (610mm x 610mm)

Velocity (fpm)	Pressure Drop (in. wg)
500	0.01
1000	0.03
1500	0.06
2000	0.10
2500	0.16
3000	0.23
3500	0.30
4000	0.40

36 in. x 36 in. (914mm x 914mm)

Velocity (fpm)	Pressure Drop (in. wg)
500	0.01
1000	0.02
1500	0.05
2000	0.09
2500	0.14
3000	0.19
3500	0.27
4000	0.35

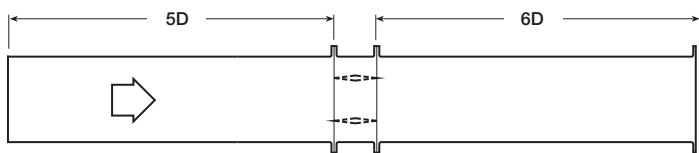
48 in. x 12 in. (1219mm x 305mm)

Velocity (fpm)	Pressure Drop (in. wg)
500	0.01
1000	0.04
1500	0.08
2000	0.15
2500	0.22
3000	0.32
3500	0.43
4000	0.56

12 in. x 48 in. (305mm x 1219mm)

Velocity (fpm)	Pressure Drop (in. wg)
500	0.01
1000	0.03
1500	0.07
2000	0.12
2500	0.18
3000	0.26
3500	0.36
4000	0.47

## AMCA 5.3



12 in. x 12 in. (305mm x 305mm)

Velocity (fpm)	Pressure Drop (in. wg)
500	0.01
1000	0.03
1500	0.08
2000	0.13
2500	0.20
3000	0.29
3500	0.40
4000	0.51

24 in. x 24 in. (610mm x 610mm)

Velocity (fpm)	Pressure Drop (in. wg)
500	0.01
1000	0.02
1500	0.04
2000	0.07
2500	0.11
3000	0.16
3500	0.21
4000	0.28

36 in. x 36 in. (914mm x 914mm)

Velocity (fpm)	Pressure Drop (in. wg)
500	0.01
1000	0.02
1500	0.03
2000	0.06
2500	0.09
3000	0.13
3500	0.19
4000	0.25

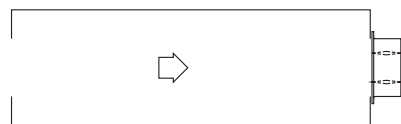
48 in. x 12 in. (1219mm x 305mm)

Velocity (fpm)	Pressure Drop (in. wg)
500	0.01
1000	0.03
1500	0.07
2000	0.12
2500	0.18
3000	0.26
3500	0.36
4000	0.46

12 in. x 48 in. (305mm x 1219mm)

Velocity (fpm)	Pressure Drop (in. wg)
500	0.01
1000	0.03
1500	0.06
2000	0.10
2500	0.16
3000	0.22
3500	0.30
4000	0.39

## AMCA 5.5



12 in. x 12 in. (305mm x 305mm)

Velocity (fpm)	Pressure Drop (in. wg)
500	0.03
1000	0.13
1500	0.30
2000	0.53
2500	0.82
3000	1.19
3500	1.62
4000	2.10

24 in. x 24 in. (610mm x 610mm)

Velocity (fpm)	Pressure Drop (in. wg)
500	0.03
1000	0.12
1500	0.26
2000	0.47
2500	0.75
3000	1.04
3500	1.41
4000	1.90

36 in. x 36 in. (914mm x 914mm)

Velocity (fpm)	Pressure Drop (in. wg)
500	0.03
1000	0.12
1500	0.28
2000	0.50
2500	0.78
3000	1.12
3500	1.53
4000	2.00

48 in. x 12 in. (1219mm x 305mm)

Velocity (fpm)	Pressure Drop (in. wg)
500	0.03
1000	0.14
1500	0.32
2000	0.57
2500	0.90
3000	1.29
3500	1.76
4000	2.30

12 in. x 48 in. (305mm x 1219mm)

Velocity (fpm)	Pressure Drop (in. wg)
500	0.03
1000	0.12
1500	0.28
2000	0.49
2500	0.77
3000	1.12
3500	1.53
4000	2.01

## Leakage Data

Air leakage is based on operation between 32°F (0°C) and 120°F (49°C).

Tested for leakage in accordance with ANSI/AMCA Standard 500-D, Figure 5.5.

Tested for air performance in accordance with ANSI/AMCA Standard 500-D, Figures 5.2, 5.3 and 5.5.

## Torque

Data are based on a torque of 7.0 in.lb./ft<sup>2</sup> (0.79 N·m) applied to close and seat the damper during the test.

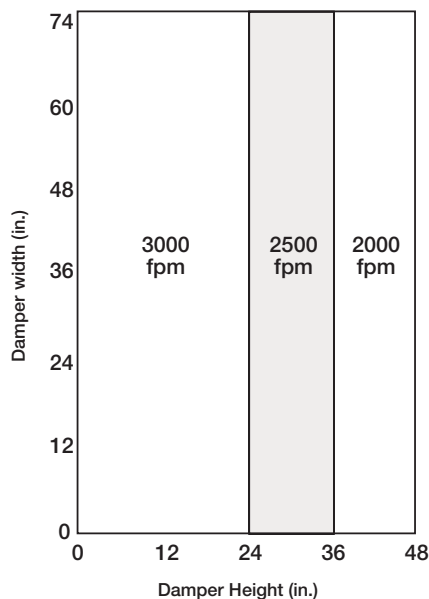
VCD-23V	Leakage Class*		
<b>Maximum Damper Width</b>	1 in. wg (0.25 kPa)	4 in. wg (1 kPa)	5 in. wg (1.2 kPa)
<b>48 in. (1219mm)</b>	1A	1	1

### \*Leakage Class Definitions

The maximum allowable leakage is defined by AMCA as the following:

- Leakage Class 1A - 3 cfm/ft<sup>2</sup> at 1 in. wg (class 1A is only defined at 1 in. wg).
- Leakage Class 1
  - 4 cfm/ft<sup>2</sup> at 1 in. wg
  - 8 cfm/ft<sup>2</sup> at 4 in. wg
  - 11 cfm/ft<sup>2</sup> at 8 in. wg
  - 12.6 cfm/ft<sup>2</sup> at 10 in. wg

## Velocity Limitations

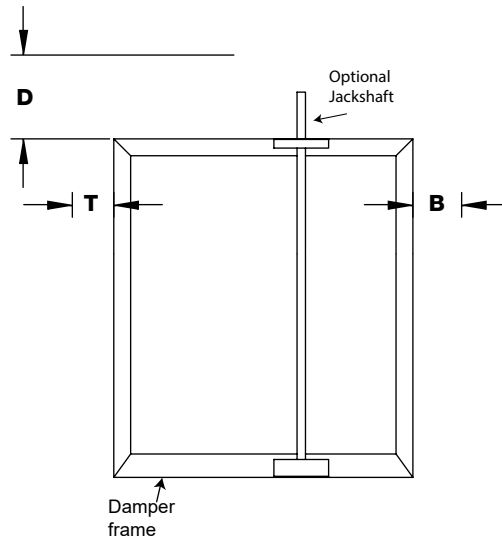


## Temperature Limitations

Blade Seal	Temperature Range
TPE	-10°F to 180°F (-23°C to 82°C)
Silicone	-40°F to 250°F (-40°C to 121°C)
No Seal	-40°F to 250°F (-40°C to 121°C)

## Space Envelopes

On dampers less than 18 in. (457mm) high, actuators may also require clearances above and/or below the damper frame. “B” and “T” dimensions are worst case clearance requirements for some dampers less than 18 in. (457mm) high. All damper sizes under 18 in. (457mm) high do not require these worst case clearances. If space availability above or below the damper is limited, each damper size should be individually evaluated.



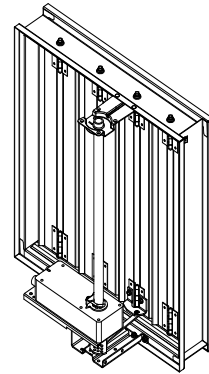
Actuator Type/Model	Height	T	B	D
	Inches	Inches		
AFBUP (-S) and FSNF Series, Belimo MSxx20 Series, Honeywell	≥6 to <10	0	12¾	6¼
	≥10 to <18	0	2	6¼
	≥18	0	0	6¼
FSLF, LF and TFB Series, Belimo	≥6 to <10	0	3½	6¼
	≥10	0	0	6¼
MSxx04 & MSxx09 Series, Honeywell	≥6 to <9	0	4¾	6¼
	≥9	0	0	6¼
MS75xx Series, Honeywell	≥6 to <10	0	12¾	6¼
	≥10 to <18	0	7	6¼
	≥18	0	0	6¼
GRD and GVD Series, Siemens	≥6 to <10	0	12¾	6¼
	≥10 to <18	0	2	6¼
	≥18	0	0	6¼
GJD Series, Siemens	≥6 to <10	0	3½	6¼
	≥10 to <18	0	0	6¼
	≥18	0	0	6¼

## Actuator Mounting

Actuators may be installed at the factory or shipped loose with the necessary linkage and brackets required for mounting. For more detail information on actuator mounting, click on link below or scan QR code.



ACTUATOR MOUNTING

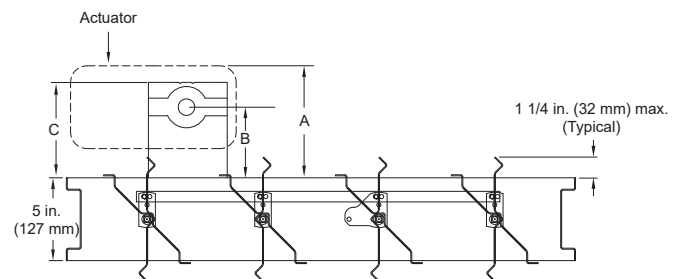


Non-jackshaft external right

## Clearance Requirements

This drawing depicts the worse case clearance requirements for an actuator with a jackshaft.

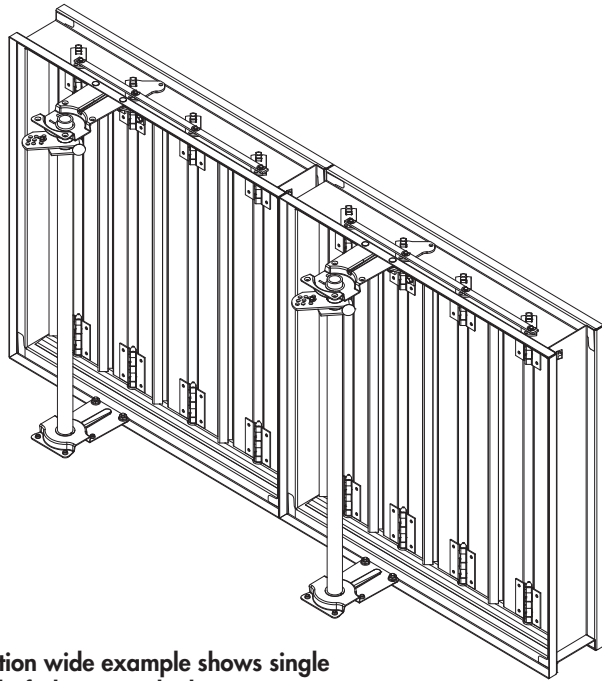
Internal mount only Actuator model	A	B	C
All except - EFB & EFCX Series	7 3/4 in (197 mm)	3 3/4 in (95 mm)	5 3/8 in (136.5 mm)
EFB & EFCX Series	8 1/2 in (216 mm)	6 in (152mm)	8 1/2 in (216 mm)



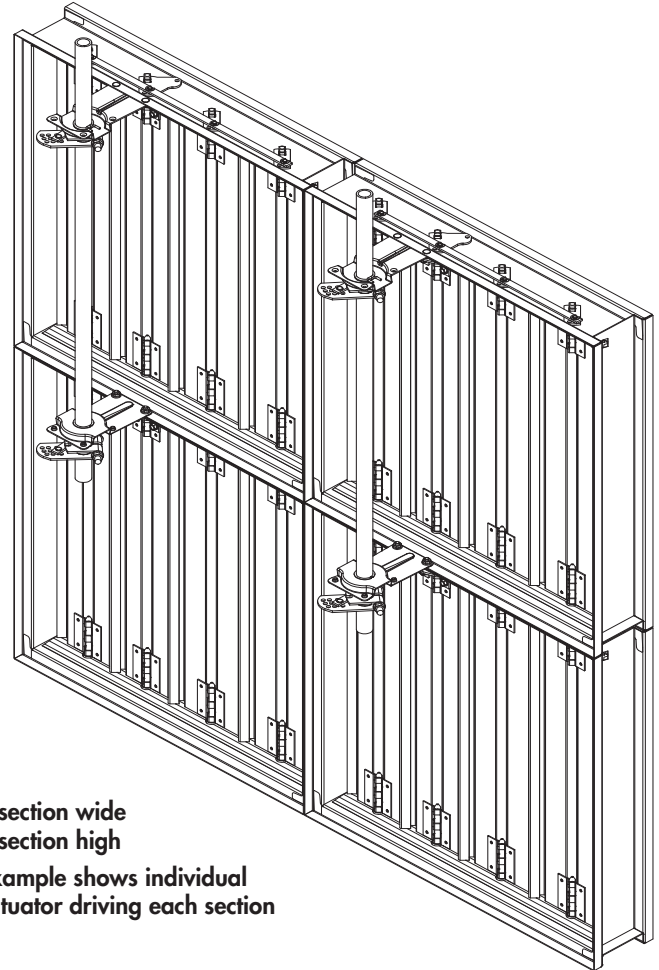
## Multi-Section Dampers

Dampers larger than the maximum single section size, will be made up of a multiple of equal size sections. Multiple section dampers can be jackshafted together so that all sections operate together as shown below.

**NOTE:** Dampers larger than 74 in. x 48 in. (1880mm x 1219mm) are not intended to be structurally self supporting. Refer to IOM document 483509 for structural support requirements on multi-section assemblies.



2 section wide example shows single jackshaft driving multiple sections



2 section wide  
2 section high  
example shows individual actuator driving each section